


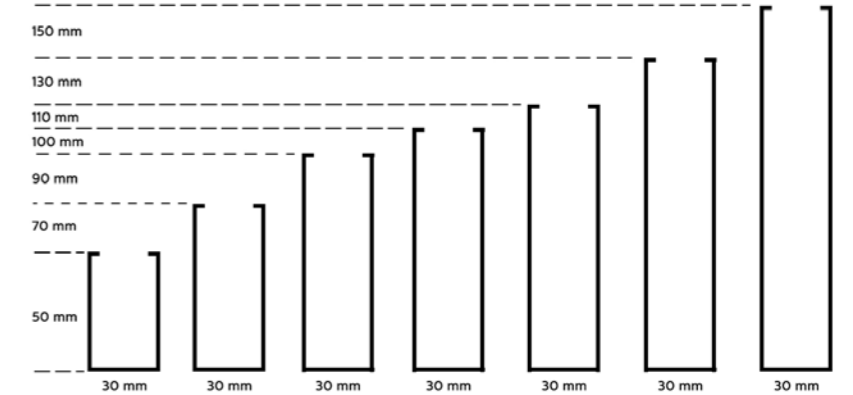
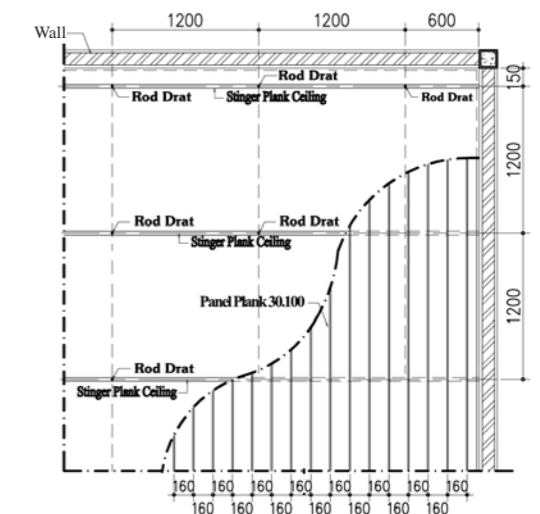
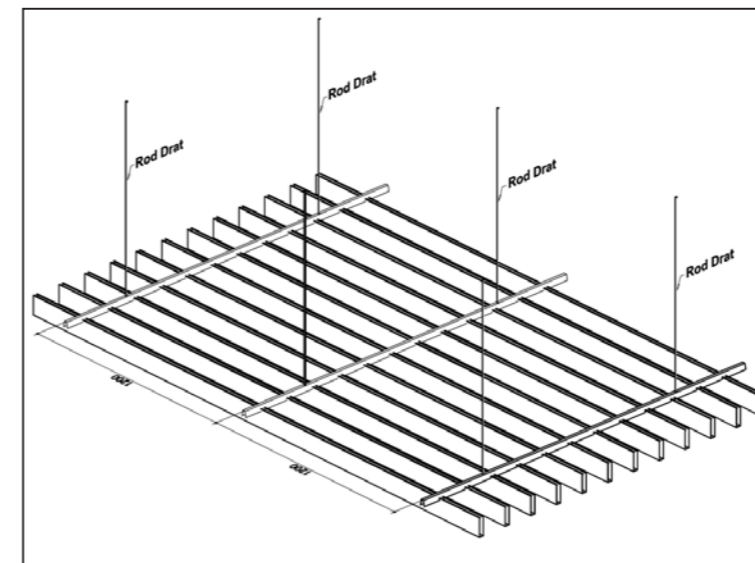




PRODUCT	INFORMATION
 ROD M4	ROD DRAT M4 Material : Wire Rod Galvanized 3,5mm
 SPC	STRINGER PLANK CEILING Material : Galvanis Length : 3 m
 PC	PLANK CEILING Material : Aluminium Standard Color : White, Silver, Cisadane Brown (Light Brown), Anti Cooper (Dark Brown) Height : 100mm Width : 30mm Length : Max. 6m



PLANK CEILING INSTALLATION



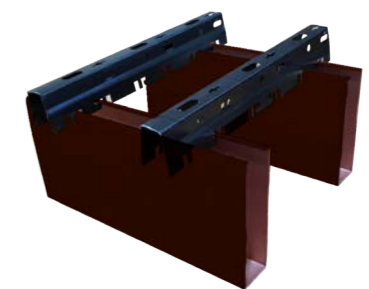
PANELLUX® PLANK CEILING

PANELLUX® Plank Ceiling offers easy installation along with functional aesthetics to your ceiling. With width dimension of 30mm and height of 100mm, it will give your ceiling a minimalistic and elegant look. It is suitable for both exterior and interior ceiling applications, such as in terraces, corridors, canopies, lobbies and toilets in airport terminal buildings, shopping malls, showrooms, apartments, offices, factories, and others.

PANELLUX® Plank Ceiling is made from Pre-painted ALUMINIUM. Installation is easy with stringer frames with Clip-Lock system without the need of any fasteners.



PLANK CEILING STANDARD



PLANK CEILING WOODGRAIN