



KELAPA GADING MALL LRT STATION - JAKARTA



**OFFICE
& SHOWROOM**



Our office and factory are located in a strategic location near Soekarno Hatta International Airport in Tangerang, Banten. Our office also has a showroom where visitors can see directly and up close our products that we offer. Not far from our office and showroom, we have our factory where all manufacturing processes are done from slitting to rollforming which are all integrated. All raw materials and finished goods are stored in our warehouse which is fully equipped to ensure our products are up to the standard to satisfy our customers.

OUR FACTORY





PANELLUX RAW MATERIAL

KIRANA™ Steel by PT. BLUESCOPE Steel Indonesia

Pre-painted steel with G300 ABADI® Steel as base material, coated with polyester paint and AZ100 rust protection coating. It is suitable for both exterior and interior application with rust protection guarantee for 3 years as well as fire resistant properties until 550°C.

TABLE OF CONTENTS

PANELLUX	1
OFFICE & SHOWROOM	2
OUR FACTORY	3
RAW MATERIAL & TABLE OF CONTENTS	4
KIRANA™ Steel	5
LINEAR CEILING 85C	6
LINEAR CEILING 85R	8
LINEAR CEILING 100/150R	10
LINEAR CEILING 200R	12
LINEAR CEILING 200C	14
LINEAR CEILING 300S	16
METAL CEILING SNAP IN	18
METAL CEILING LAY IN	20
PLANK CEILING	22
MULTI-P CEILING	24
SCREEN CEILING S100/S200	26
GRID CEILING	28
SUNSCREEN	30
MINIMALIST SCREEN	32
JALOUSIE	34
LINEAR CLADDING 85C	36
LINEAR CLADDING 200C	38
METAL CLADDING SNAP IN	40
CLADDING SOUNDPRO	42
WAVE DECORATIVE CLADDING	44
PROJECT REFERENCES	46



KIRANA™ steel adalah baja lapis berwarna yang menggunakan bahan dasar baja lapis ABADI® steel yang mengandung logam campuran 55% Aluminium, 43.5% Zinc dan 1.5% Silikon. KIRANA™ steel adalah material yang tahan lama dan ekonomis sehingga digunakan sebagai material utama PANELLUX® by PROMETAMA.

TAHAN LAMA DAN EKONOMIS

GENERAL DESCRIPTION

KIRANA™ steel is a prepainted coated steel that has been developed by BlueScope Steel From ABADI® steel substrate with variety yield strength and low gloss level (nominal 30%)

METAL COATING

Nominal Coating Mass (gr/m²) : 100gr/m² both surfaces
Approximate Coating Thickness : 27 micron

TYPICAL USE

G300 : Roll formed house framing, RWG, gutters and garden sheds

TYPICAL CHEMICAL COMPOSITION (%) OF STEEL BASE (G300)

Carbon (C)	0.035 - 0.070	Silicon (Si)	0.000 - 0.020
Phosphorus (P)	0.000 - 0.020	Aluminium (Al)	0.020 - 0.070
Manganese (Mn)	0.100 - 0.300	Nitrogen (N)	0.000 - 0.008
Sulphur (S)	0.000 - 0.020		

STANDARDS

AS 1397 : 2001 and AS 1365

STEEL BASE (GUARANTEED) LONGITUDINAL TENSILE

MECHANICAL PROPERTIES	GUARANTEED
Yield Strength (Mpa)	G300 min 300
Tensile Strength (Mpa)	min 340
Elongation on 50mm	min 20
Hardness HR30T	max 62
180° transverse bend (Laxis)	-

DIMENSIONS

THICKNESS (mm)	WIDTH RANGE (mm)
0.45	G300 : 914-1219

SUPPLY CONDITION (NORMAL)

Coating Class	: AZ100	Bore Diameter	: 508 mm +/- 10mm
Surface Condition	: Painted	Branding	: Yes



For product identification and originality, please check the following brand along the edge of the coil reverse side :

“KIRANA(TM) steel made by BlueScope Steel 21:28 05:03:04 08”

Please ensure you have the current data sheet for this product



PT NS BlueScope Indonesia

SALES & MARKETING OFFICES :

JAKARTA
BRI II Building 9th Floor, Jl. Jend. Sudirman Kav. 44-46 Jakarta 10210
Phone: (021) 5785-4150, Fax: (021) 5785-4151
SURABAYA
Plaza BRI Level 5 Suite 507A, Jl. Basuki Rahmat 122 Surabaya 60271
Phone: (031) 532-0525 / 532-0259, Fax: (031) 532-0711

KIRANA™ is a registered trade mark of BlueScope Steel Limited
BlueScope is a trade mark of BlueScope Steel Limited.
© 2012 by BlueScope Steel Limited. All rights reserved.
No part of this brochure may be reproduced, stored in a retrieval system, or transmitted in any form or by any means, electronic, mechanical, photocopying, recording or otherwise, without written permission of BlueScope Steel Limited.



Q-BIG, BSD CITY - TANGERANG

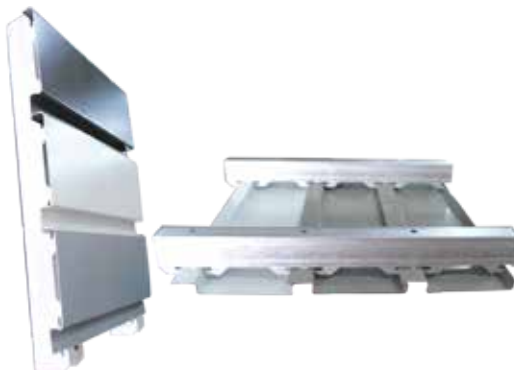
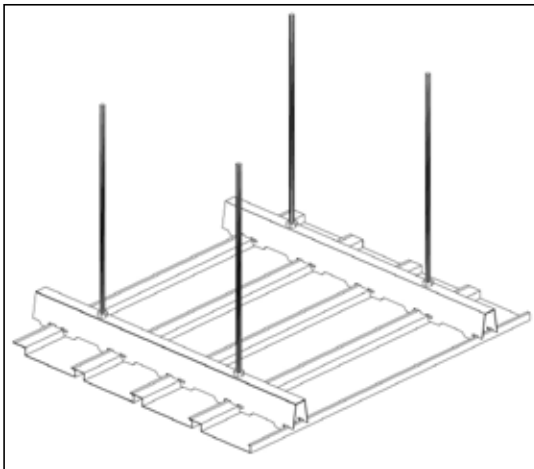
PANELLUX® LINEAR CEILING 85C

PANELLUX® Linear Ceiling 85C is easy to install and provides a functional look towards your ceiling profile. With profile width of 85mm and gap width of 15mm, the profile will have a minimalistic elegant look. It is ideally applied in both interior and exterior ceiling projects, including terraces, corridors, canopies and lobbies in airport terminals, shopping malls, showrooms, apartments, offices, factories and other types of projects.

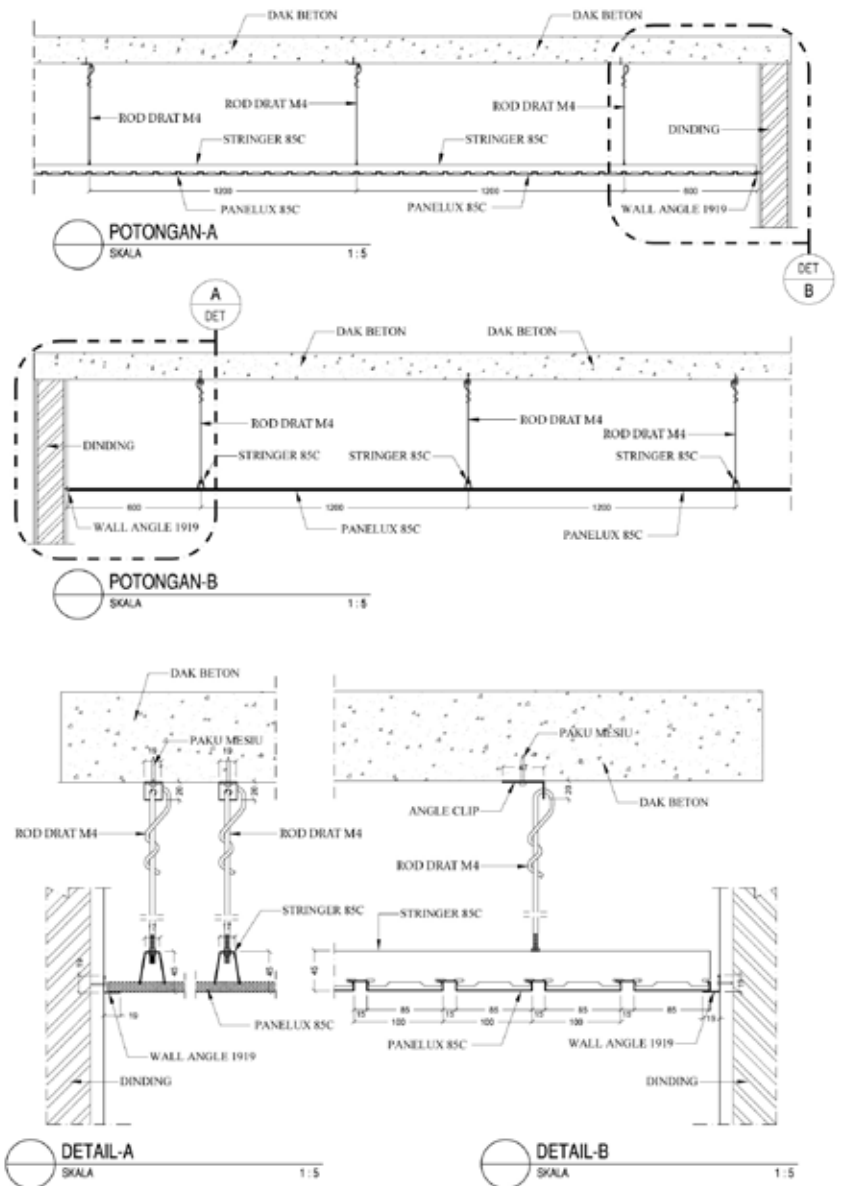
PANELLUX® Linear Ceiling 85C is made of Pre-painted galvalume under the brand KIRANA™ Steel from BlueScope Steel Indonesia. Installation is easy with stringer suspension with Clip-Lock system without the need of bolts nor fasteners.

PANELLUX[®] LINEAR CEILING 85C

PRODUCT	INFORMATION
 ROD M4	ROD DRAT M4 Material : Wire Rod Galvanized 3,5mm
 ST-85C	STRINGER 85C Material : Galvanis Steel Length : 4 m
 85C	PANELLUX 85C Material : KIRANA™ Steel Standard Color : White, Silver, Cisdane Brown (Light Brown), Anti Cooper (Dark Brown). Length : Custom
 19 3000 19 WA-1919	WALL ANGLE 1919 Material : KIRANA™ Steel Length : 3 m
 10 14 19 SM-1914	SHADOW Moulding 1914 Material : KIRANA™ Steel Length : 3 m



LINEAR CEILING 85C



LINEAR CEILING 85C INSTALLATION




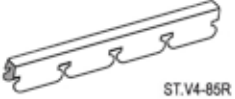
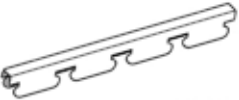
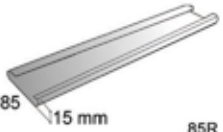
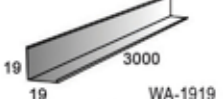

HUSEIN SASTRANEGARA AIRPORT - BANDUNG

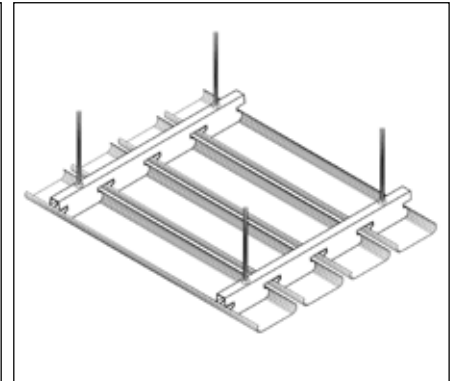
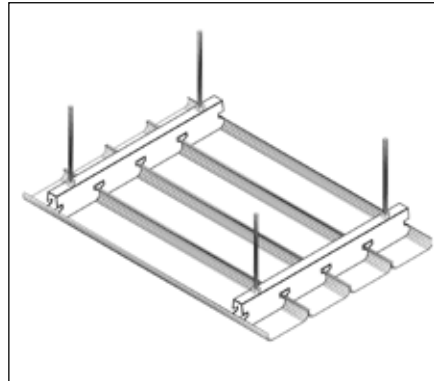
PANELLUX® LINEAR CEILING 85R

PANELLUX® Linear Ceiling 85R is easy to install and provides a functional look towards your ceiling profile. With profile width of 85mm, it is available in two designs: V5 with 15mm gap width and V4 without gap, which both will give an elegant minimalistic look. It is ideally applied in both interior and exterior ceiling projects, including terraces, corridors, canopies and lobbies in airport terminals, shopping malls, showrooms, apartments, offices, factories and other types of projects.

PANELLUX® Linear Ceiling 85R is made of Pre-painted galvalume under the brand KIRANA™ Steel from BlueScope Steel Indonesia. Installation is easy with stringer suspension with Clip-Lock system without the need of bolts nor fasteners.

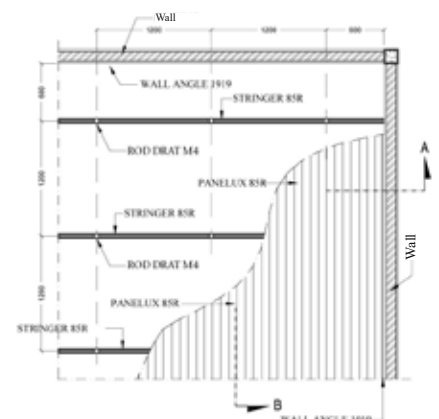
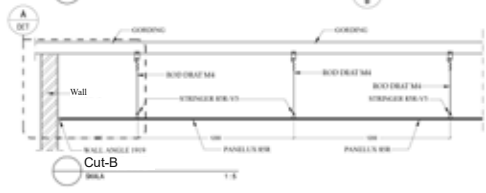
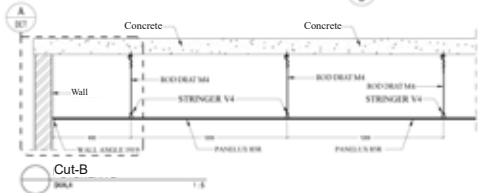
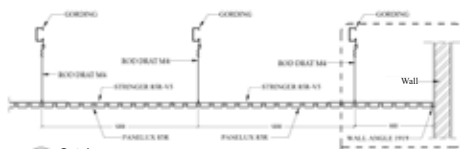
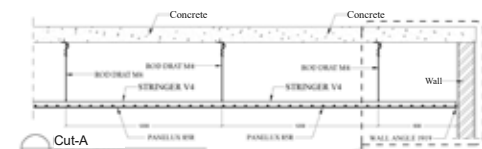
PANELLUX® LINEAR CEILING 85R

PRODUCT	INFORMATION
 ROD M4	ROD DRAT M4 Material : Wire Rod Galvanized 3,5mm
 ST.V4-85R	STRINGER V4 Material : Zinalume® Steel Length : 4 m
 ST.V5-85R	STRINGER V5 Material : Zinalume® Steel Length : 4 m
 85 15 mm 85R	PANELLUX 85R Material : KIRANA™ Steel Standard Color : White, Silver, Cisadane Brown (Light Brown), Anti Cooper (Dark Brown). Length : Custom
 19 3000 19 WA-1919	WALL ANGLE 1919 Material : KIRANA™ Steel Length : 3 m
 10 14 19 SM-1914	SHADOW MOULDING 1914 Material : KIRANA™ Steel Length : 3 m

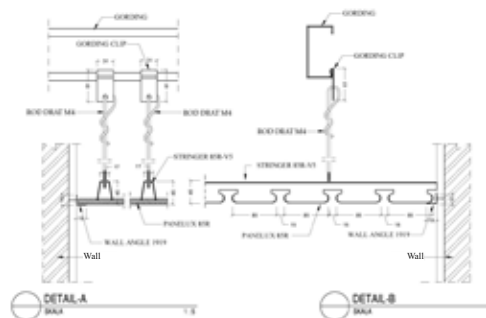
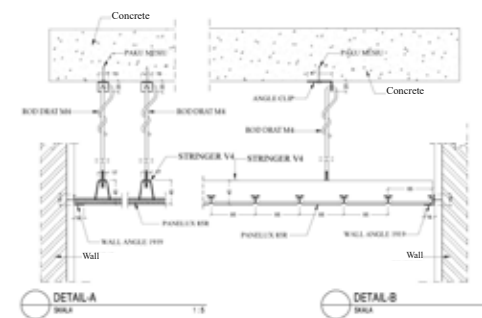


LINEAR CEILING 85R V4

LINEAR CEILING 85R V5



LINEAR CEILING 85R INSTALLATION



LINEAR CEILING 85R V4

LINEAR CEILING 85R V5





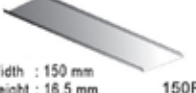

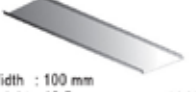


VELODROME LRT STATION - JAKARTA

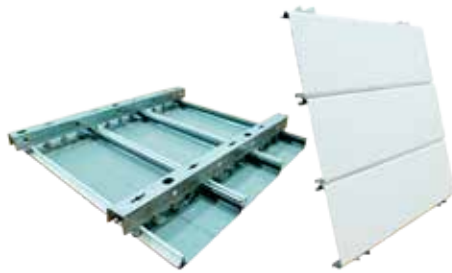
PANELLUX® LINEAR CEILING 100R/150R

PANELLUX® Linear Ceiling 100R/150R is easy to install and provides a functional look towards your ceiling profile. With profile width of either 100mm (100R) or 150mm (150R), it will give an elegant minimalistic look. It is ideally applied in both interior and exterior ceiling projects, including terraces, corridors, canopies and lobbies in airport terminals, shopping malls, showrooms, apartments, offices, factories and other types of projects.

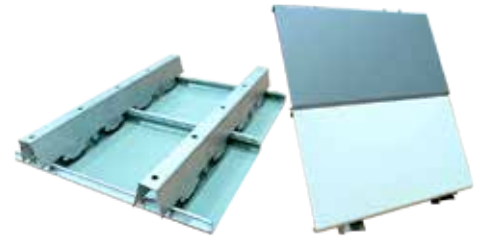
PANELLUX® Linear Ceiling 100R/150R is made of Pre-painted galvalume under the brand KIRANA™ Steel from BlueScope Steel Indonesia. Installation is easy with stringer suspension with Clip-Lock system without the need of bolts nor fasteners.

PANELLUX[®] LINEAR CEILING 100R/150R

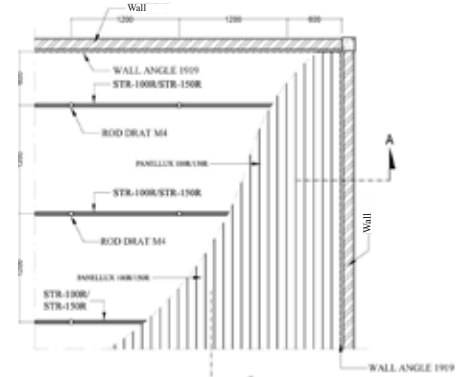
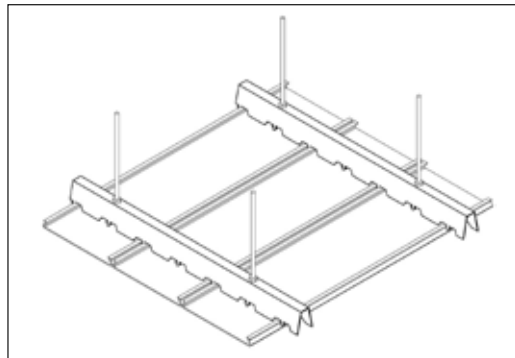
PRODUCT	INFORMATION
 ROD M4	ROD DRAT M4 Material : Wire Rod Galvanized 3,5mm
 Width : 30 mm Height : 45 mm STR-150R	STRINGER 150R Material : Zinalume [®] Steel Length : 4 m
 Width : 150 mm Height : 16,5 mm 150R	PANELLUX 150R Material : KIRANA [™] Steel Standard Color : White, Silver, Cisadane Brown (Light Brown), Anti Cooper (Dark Brown).
 Width : 30 mm Height : 45 mm STR-100R	STRINGER 100R Material : Zinalume [®] Steel Length : 4 m
 Width : 100 mm Height : 16,5 mm 100R	PANELLUX 100R Material : KIRANA [™] Steel Standard Color : White, Silver, Cisadane Brown (Light Brown), Anti Cooper (Dark Brown).
 19 19 WA-1919	WALL ANGLE 1919 Material : KIRANA [™] Steel Length : 3 m
 10 14 19 SM-1914	SHADOW Moulding 1914 Material : KIRANA [™] Steel Length : 3 m



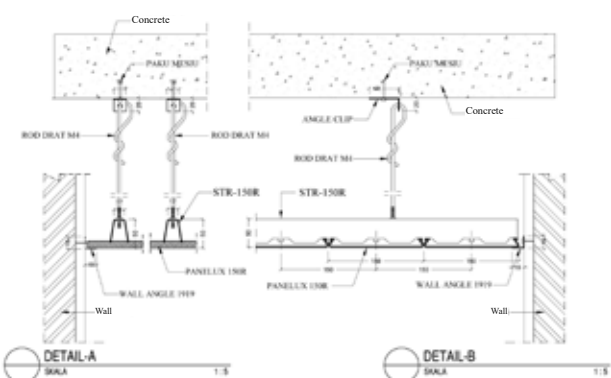
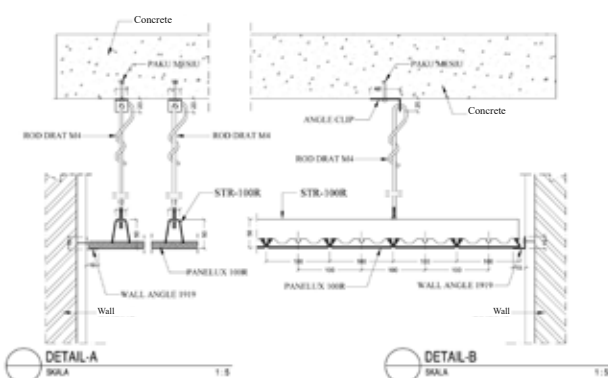
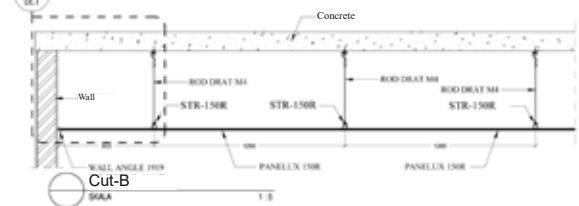
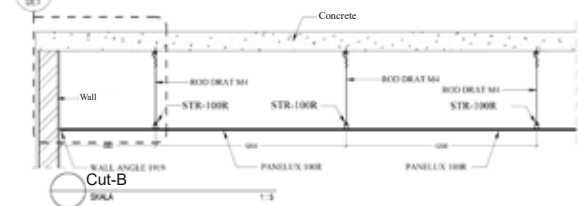
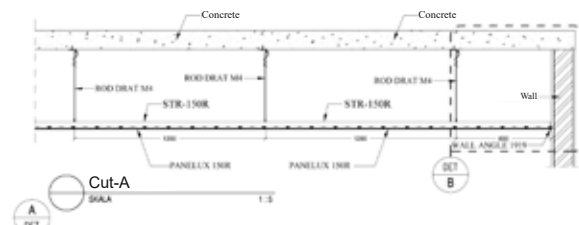
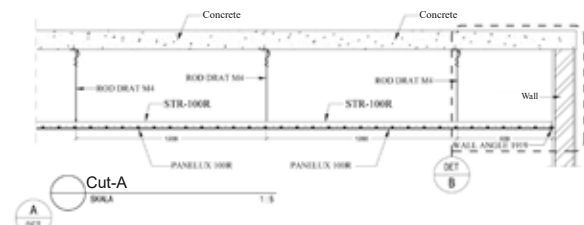
LINEAR CEILING 100R



LINEAR CEILING 150R



LINEAR CEILING 100R/150R INSTALLATION










PANTAI INDAH UTARA OFFICE - JAKARTA

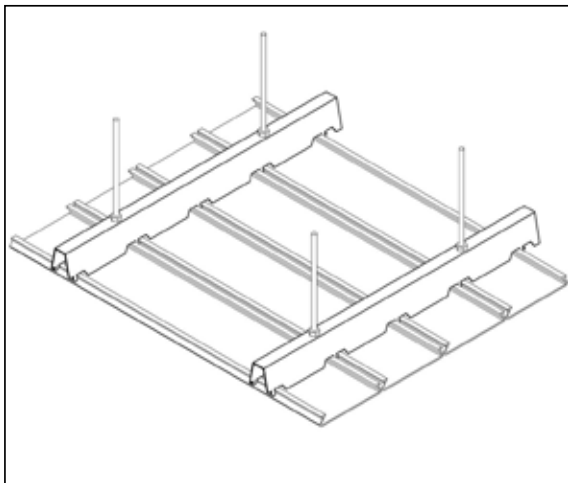
PANELLUX® LINEAR CEILING 200R

PANELLUX® Linear Ceiling 200R is easy to install and provides a functional look towards your ceiling profile. With profile width of either 200mm, it will give an elegant minimalistic look. It is ideally applied in both interior and exterior ceiling projects, including terraces, corridors, canopies and lobbies in airport terminals, shopping malls, showrooms, apartments, offices, factories and other types of projects.

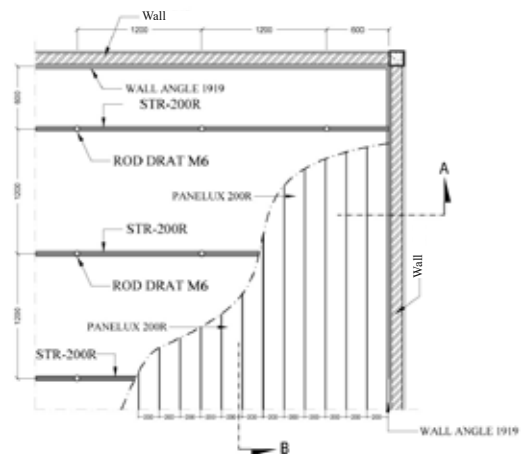
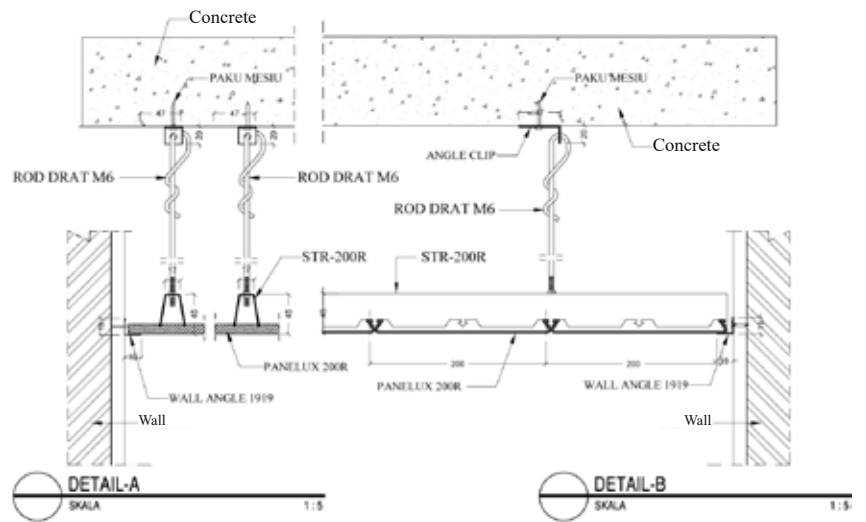
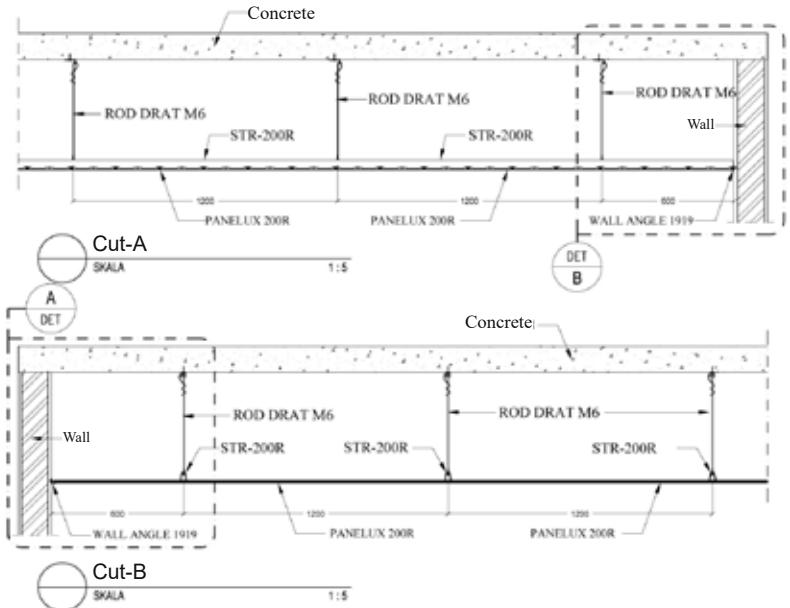
PANELLUX® Linear Ceiling 200R is made of Pre-painted galvalume under the brand KIRANA™ Steel from BlueScope Steel Indonesia. Installation is easy with stringer suspension with Clip-Lock system without the need of bolts nor fasteners.

PANELLUX[®] LINEAR CEILING 200R

PRODUCT	INFORMATION
 ROD M6	ROD DRAT M6 Material : Wire Rod Galvanized 6mm
 Width : 30 mm Height : 45 mm STR-200R	STRINGER 200R Material : Zinalume [®] Steel Length : 4 m
 Width : 200 mm Height : 16,5 mm 200R	PANELLUX 200R Material : KIRANA [™] Steel Standard Color : White, Silver,
 19 WA-1919	WALL ANGLE 1919 Material : KIRANA [™] Steel Length : 3 m
 10 14 19 SM-1914	SHADOW Moulding 1914 Material : KIRANA [™] Steel Length : 3 m



LINEAR CEILING 200R



LINEAR CEILING 200R INSTALLATION








PERTAMINA GAS STATION - CIBITUNG

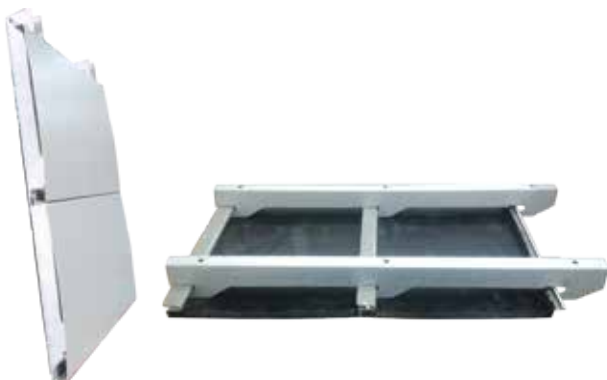
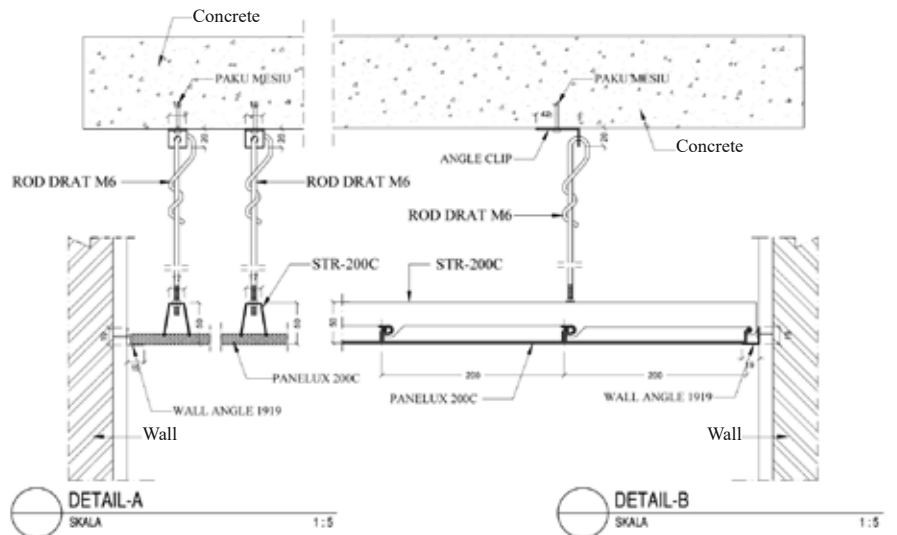
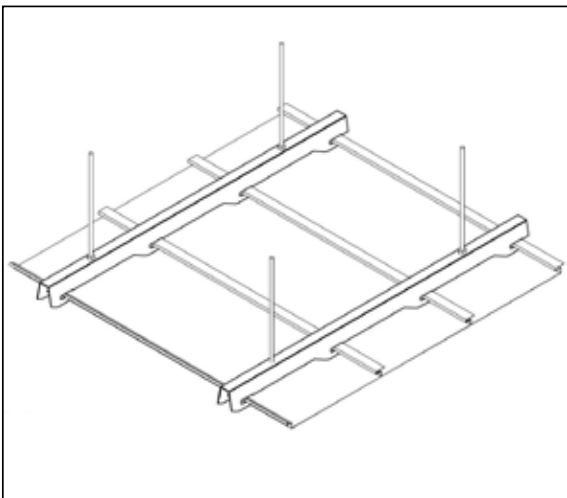
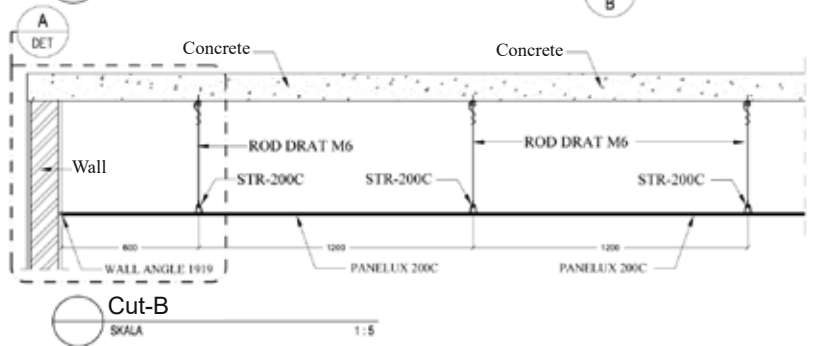
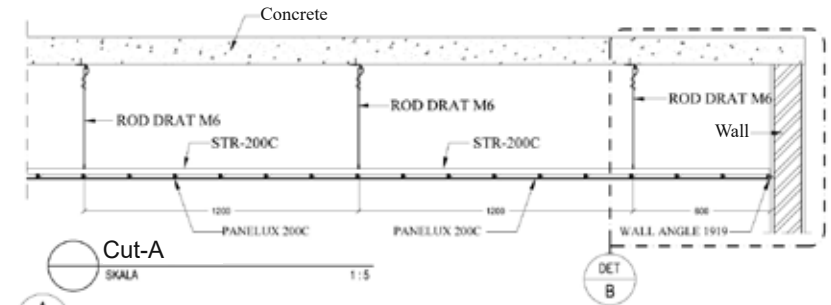
PANELLUX® LINEAR CEILING 200C

PANELLUX® Linear Ceiling 200C is easy to install and provides a functional look towards your ceiling profile. With profile width of either 200mm, it will give an elegant minimalistic look. It is ideally applied in both interior and exterior ceiling projects, including terraces, corridors, canopies and lobbies in airport terminals, shopping malls, showrooms, apartments, offices, factories and other types of projects.

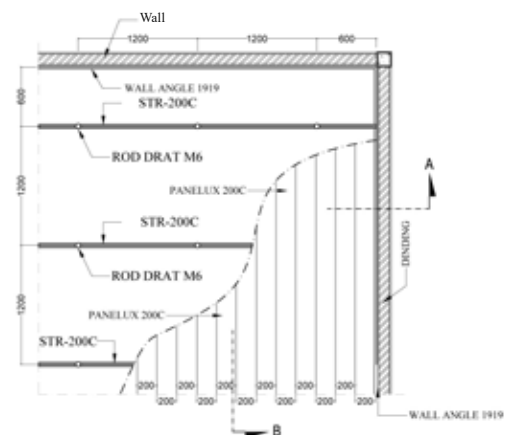
PANELLUX® Linear Ceiling 200C is made of Pre-painted galvalume under the brand KIRANA™ Steel from BlueScope Steel Indonesia. Installation is easy with stringer suspension with Clip-Lock system without the need of bolts nor fasteners.

PANELLUX® LINEAR CEILING 200C

PRODUCT	INFORMATION
 ROD M6	ROD DRAT M6 Material : Wire Rod Galvanized 6mm
 Width : 30 mm Height : 45 mm STR-200C	STRINGER 200C Material : Galvanis Steel Length : 4 m
 Width : 200 mm Height : 16,5 mm 200C	PANELLUX 200C Material : KIRANA™ Steel Standard Color : White, Silver, Cisdane Brown (Light Brown), Anti Cooper (Dark Brown). Length : Custom
 19 19 WA-1919	WALL ANGLE 1919 Material : KIRANA™ Steel Length : 3 m
 10 14 19 SM-1914	SHADOW Moulding 1914 Material : Zinalume® Steel Length : 3 m



LINEAR CEILING 200C



LINEAR CEILING 200C INSTALLATION








THE ASEAN SECRETARIAT - JAKARTA

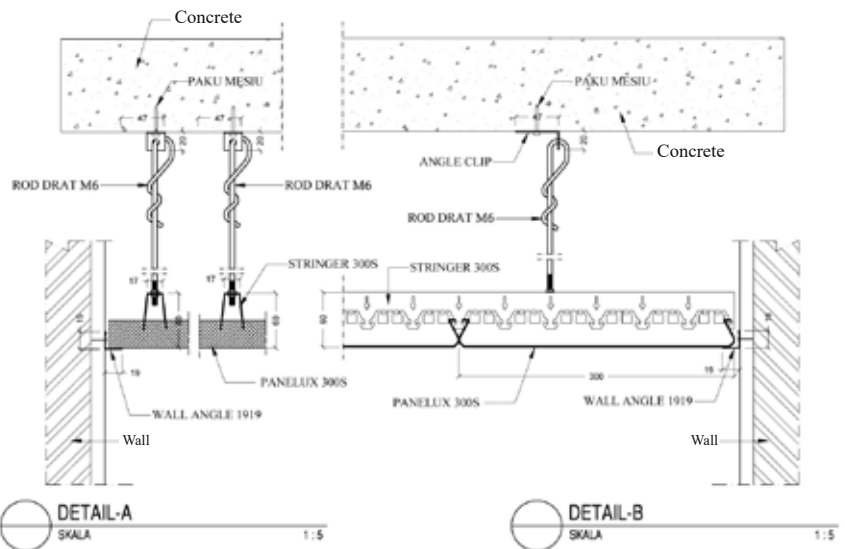
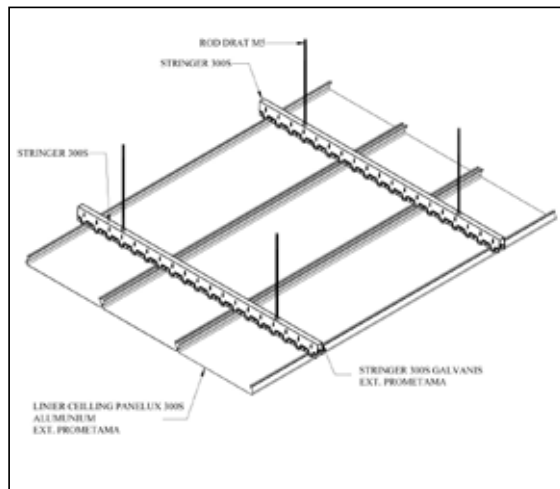
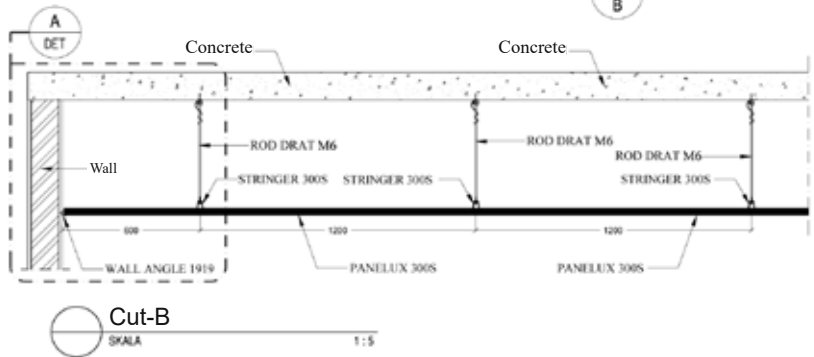
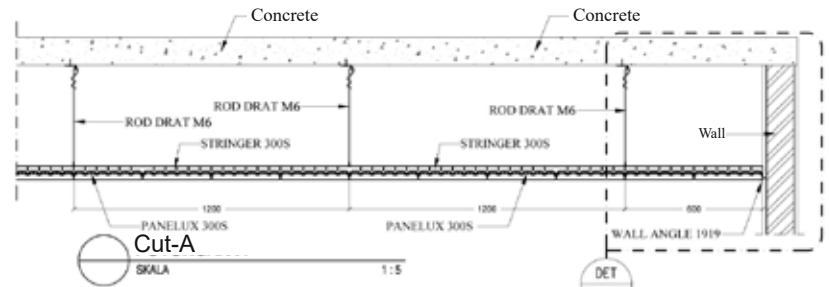
PANELLUX® LINEAR CEILING 300S

PANELLUX® Linear Ceiling 300S is easy to install and provides a functional look towards your ceiling profile. With profile width of either 300mm, it will give an elegant minimalistic look. It is ideally applied in both interior and exterior ceiling projects, including terraces, corridors, canopies and lobbies in airport terminals, shopping malls, showrooms, apartments, offices, factories and other types of projects.

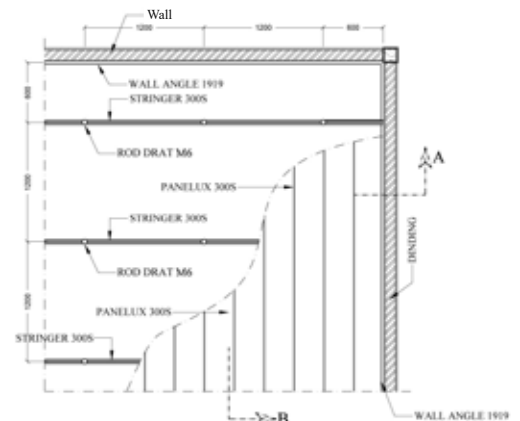
PANELLUX® Linear Ceiling 300S is made of Pre-painted galvalume under the brand KIRANA™ Steel from BlueScope Steel Indonesia. Installation is easy with stringer suspension with Clip-Lock system without the need of bolts nor fasteners.

PANELLUX[®] LINEAR CEILING 300S

PRODUCT	INFORMATION
 ROD M6	ROD DRAT M6 Material : Wire Rod Galvanized 6mm
 STG-R	STRINGER 300S Material : Galvanized Length : 3 m
 Width : 300 mm 300S	PANELLUX 300S Material : KIRANA [™] Steel Standard Color : White Length : Custom
 19 19 WA-1919	WALL ANGLE 1919 Material : KIRANA [™] Steel Length : 3 m
 10 14 19 SM-1914	SHADOW Moulding 1914 Material : KIRANA [™] Steel Length : 3 m



LINEAR CEILING 300S



LINEAR CEILING 300S INSTALLATION




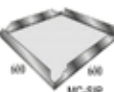
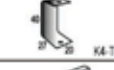
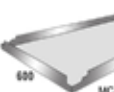


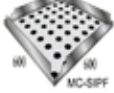
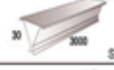
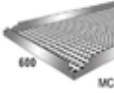
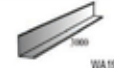
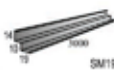
ARKADIA TOWER G, PASAR MINGGU - JAKARTA

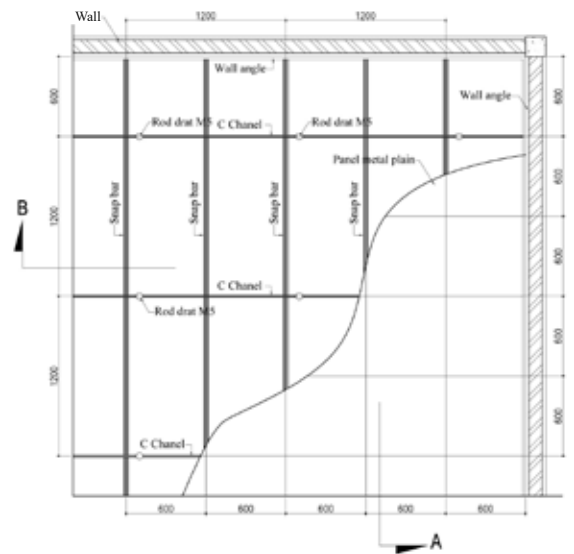
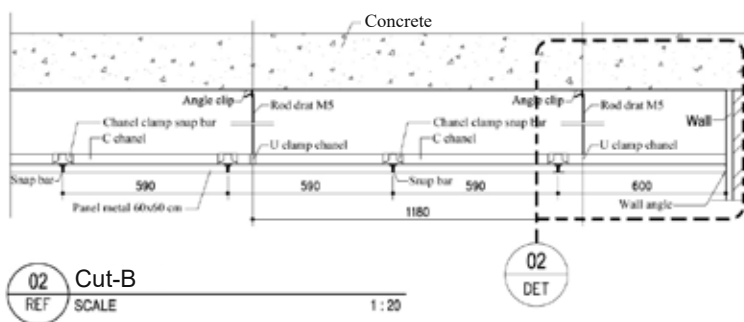
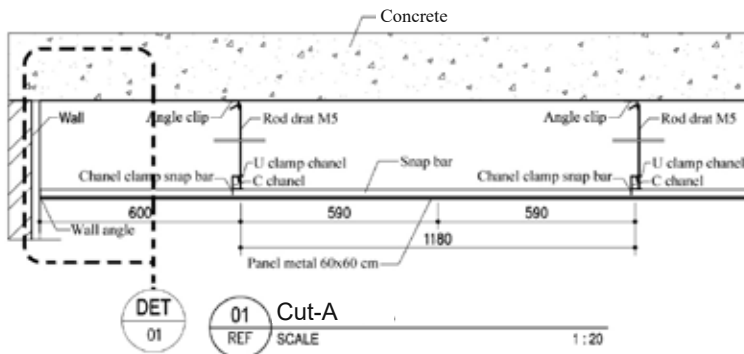
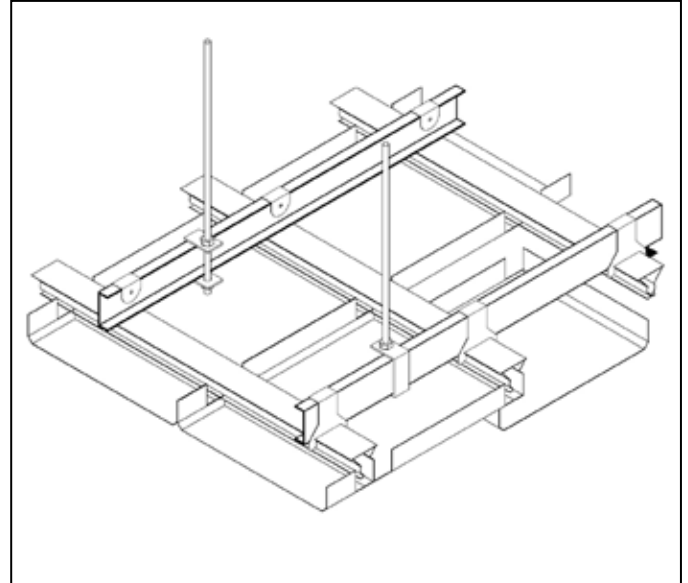
PANELLUX® METAL CEILING SNAP IN

PANELLUX® Metal Ceiling Snap In is easy to install and provides a functional look towards your ceiling profile. With profile width of either 60x60cm and 60x120cm, it will give an elegant minimalistic look. It is ideally applied in both interior and exterior ceiling projects, including terraces, corridors, canopies and lobbies in airport terminals, shopping malls, showrooms, apartments, offices, factories and other types of projects.

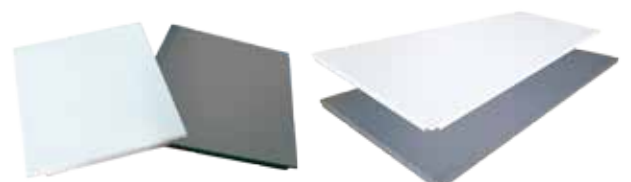
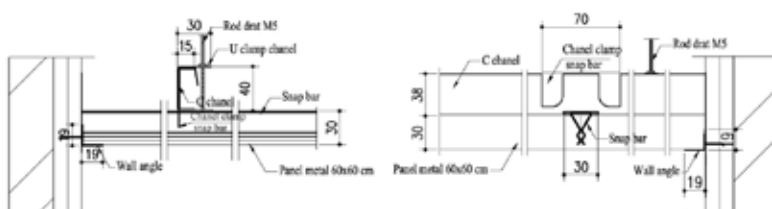
PANELLUX® Metal Ceiling Snap In is made of Pre-painted galvalume under the brand KIRANA™ Steel from BlueScope Steel Indonesia. Installation is easy with stringer suspension with Clip-Lock system without the need of bolts nor fasteners.

PANELLUX[®] METAL CEILING SNAP IN

PRODUCT	INFORMATION	PRODUCT INFORMATION
 ROD M5	ROD M5 Material : Wire Rod Galvanized 5mm	 600 MC-SP
 K4-TBC	U CLAMP Material : Galvanized Steel	 600 1200 MC-SP120
 RG-1	C-CHANNEL Material : Zinalume [®] Steel	METAL CEILING - SNAP IN PLAIN 60x60 & 60x120 Material : KIRANA [™] Steel Standard Color : White, Silver Thickness : 0,6mm
 K-10S	CHANNEL CLAMP SNAP BAR Material : Zinalume [®] Steel	 600 MC-SPF
 33.5 30 3000 SBB	SNAP BAR Material : Galvanized Steel Length : 3000mm	 600 1200 MC-SPF120
 WA1919	WALL ANGLE Material : KIRANA [™] Steel Length : 3000mm	METAL CEILING - SNAP IN PLAIN 60x60 & 60x120 Material : KIRANA [™] Steel Standard Color : White, Silver Thickness : 0,6mm Perforation : Ø 2,3mm
 SM1914	SHADOW Moulding Material : KIRANA [™] Steel Length : 3000mm	



METAL CEILING SNAP IN INSTALLATION



60 x 60

60 x 120

METAL CEILING SNAP IN



ARUK CROSS BORDER POST - SAMBAS

PANELLUX® METAL CEILING LAY IN

PANELLUX® Metal Ceiling Snap In is easy to install and provides a functional look towards your ceiling profile. With profile width of either 60x60cm and 60x120cm, it will give an elegant minimalistic look. It is ideally applied in both interior and exterior ceiling projects, including terraces, corridors, canopies and lobbies in airport terminals, shopping malls, showrooms, apartments, offices, factories and other types of projects.

PANELLUX® Metal Ceiling Snap In is made of Pre-painted galvalume under the brand KIRANA™ Steel from BlueScope Steel Indonesia. Installation is easy with stringer suspension with Clip-Lock system without the need of bolts nor fasteners.

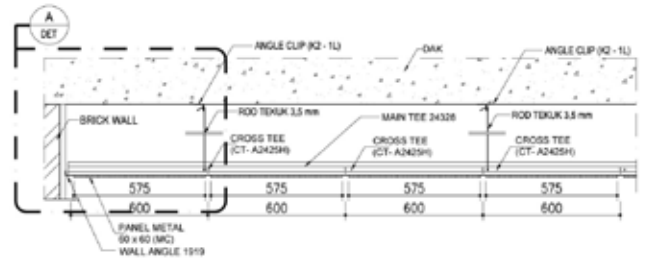
PANELLUX[®] METAL CEILING LAY IN

LAY IN SPECIFICATION

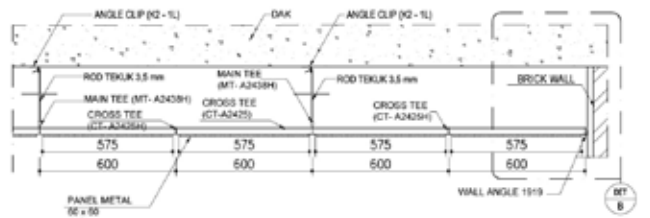
PRODUCT	INFORMATION
	ROD 3,5mm Material : Wire Rod Galvanized 3,5mm
	CLIPPER Material : Galvanized Steel
	MAIN TEE Material : Zincalume [®] Steel
	CROSS TEE Material : Zincalume [®] Steel Length : 600mm, 1200mm
	WALL ANGLE Material : KIRANA [™] Steel Length : 3000mm
	SHADOW MOULDING Material : KIRANA [™] Steel Length : 3000mm
	METAL CEILING - LAY IN PLAIN 60x60 & 60x120 Material : KIRANA [™] Steel Standar Color : White, Silver Thickness : 0,5mm
	METAL CEILING - LAY IN PERFORATED 60x60 & 60x120 Material : KIRANA [™] Steel Standar Color : White, Silver Thickness : 0,5mm Perforation : Ø 2,3mm

LAY IN SLIM LINE SPECIFICATION

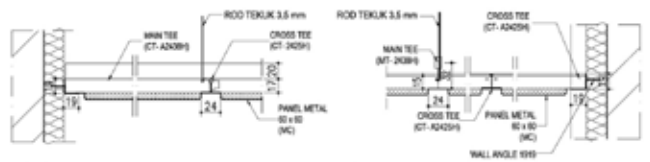
PRODUCT	INFORMATION
	ROD 3,5mm Material : Wire Rod Galvanized 3,5mm
	CLIPPER Material : Galvanized Steel
	MAIN TEE Material : Zincalume [®] Steel
	CROSS TEE Material : Zincalume [®] Steel Length : 600mm, 1200mm
	WALL ANGLE Material : KIRANA [™] Steel Length : 3000mm
	SHADOW MOULDING Material : KIRANA [™] Steel Length : 3000mm
	METAL CEILING - LAY IN SLIM LINE PLAIN 60x60 & 60x120 Material : KIRANA [™] Steel Standar Color : White, Silver Thickness : 0,5mm
	METAL CEILING - LAY IN SLIM LINE PERFORATED 60x60 & 60x120 Material : KIRANA [™] Steel Standar Color : White, Silver Thickness : 0,5mm Perforation : Ø 2,3mm



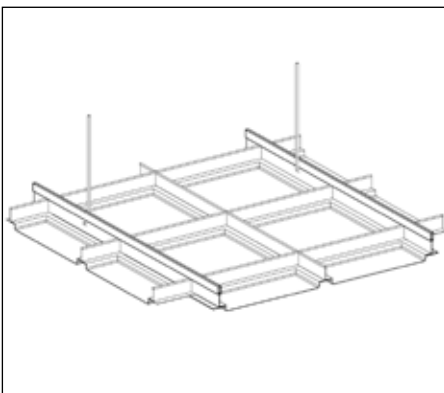
01 Cut-A
REF SCALE 1 : 20



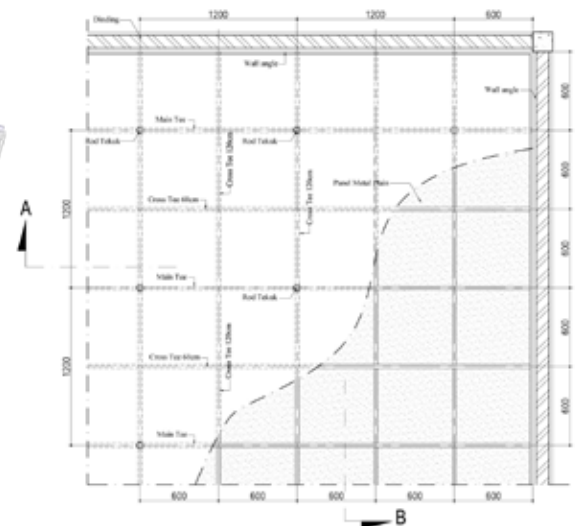
02 Cut-B
REF SCALE 1 : 20



01 DETAIL-A REF SCALE 1 : 5
02 DETAIL-B REF SCALE 1 : 5



METAL CEILING LAY IN



METAL CEILING LAY IN
INSTALLATION






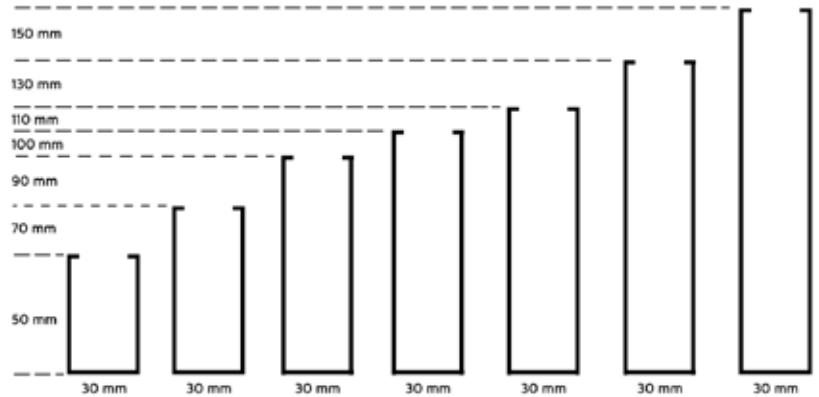
PANELLUX® PLANK CEILING

PANELLUX® Plank Ceiling offers easy installation along with functional aesthetics to your ceiling. With width dimension of 30mm and height of 100mm, it will give your ceiling a minimalistic and elegant look. It is suitable for both exterior and interior ceiling applications, such as in terraces, corridors, canopies, lobbies and toilets in airport terminal buildings, shopping malls, showrooms, apartments, offices, factories, and others.

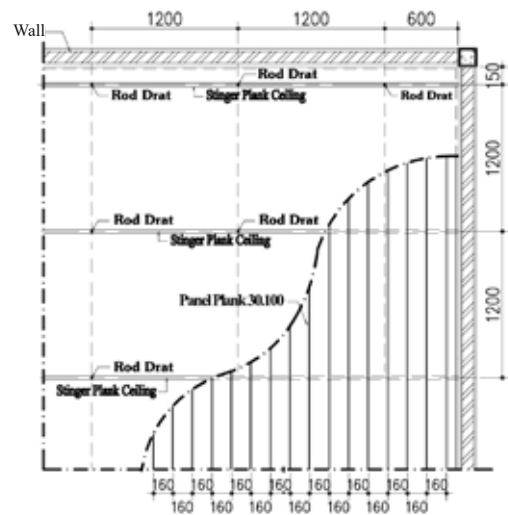
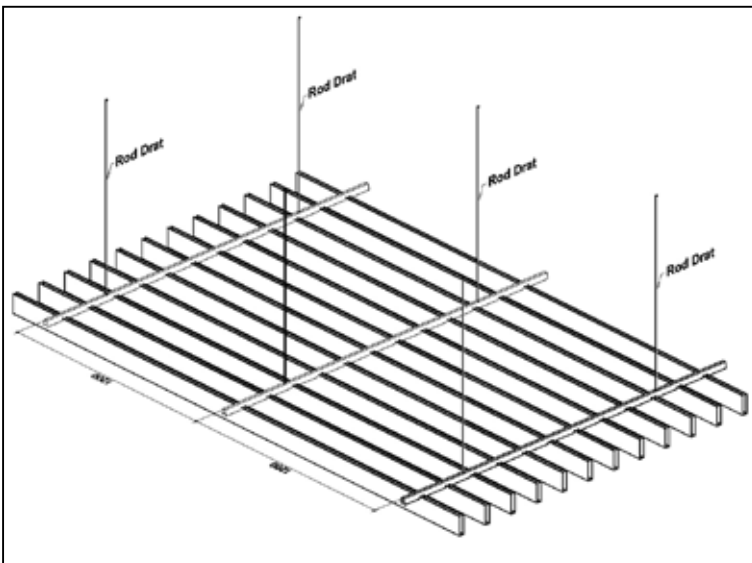
PANELLUX® Plank Ceiling is made of Pre-painted galvalume under the brand KIRANA™ Steel from BlueScope Steel Indonesia. Installation is easy with stringer frames with Clip-Lock system without the need of any fasteners.

PANELLUX® PLANK CEILING

PRODUCT	INFORMATION
 ROD M4	ROD DRAT M4 Material : Wire Rod Galvanized 3,5mm
 SPC	STRINGER PLANK CEILING Material : Galvanis Length : 3 m
 PC	PLANK CEILING Material : KIRANA™ Steel Standard Color : White, Silver, Cisadane Brown (Light Brown), Anti Cooper (Dark Brown) Height : 100mm Width : 30mm Length : Max. 6m



PLANK CEILING INSTALLATION



PLANK CEILING STANDARD



PLANK CEILING WOODGRAIN





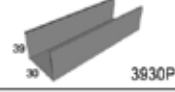
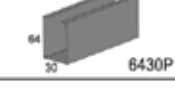
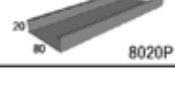
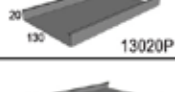
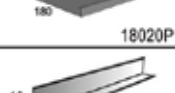
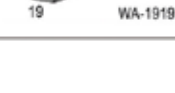
DEPOK REGION GENERAL HOSPITAL - WEST JAVA

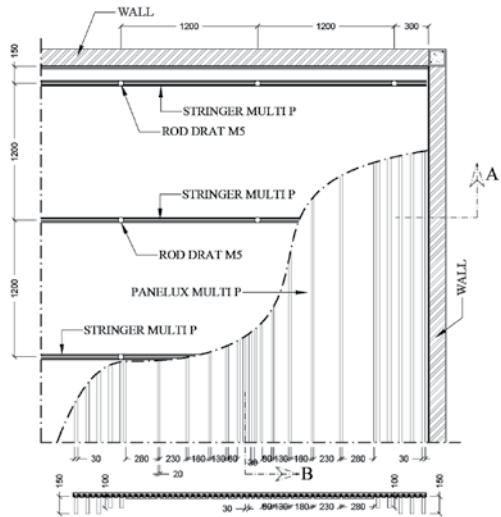
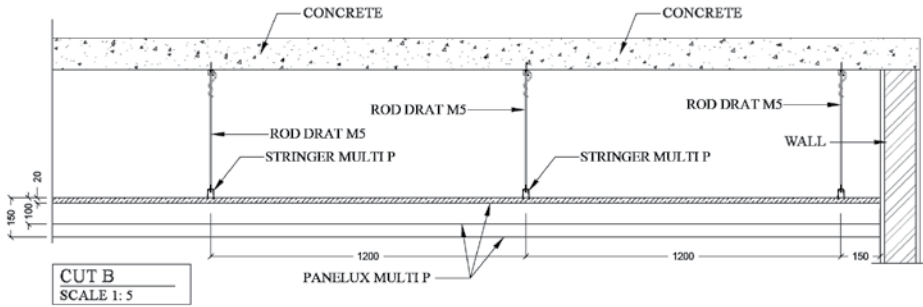
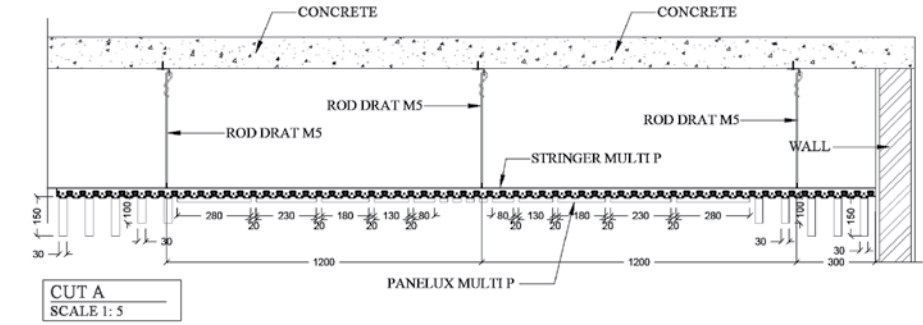
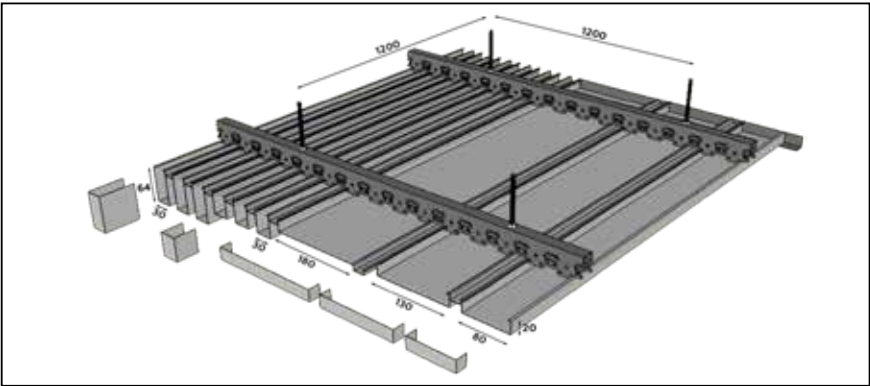
PANELLUX® MULTI-P CEILING

PANELLUX® Multi-P Ceiling offers ease of installation and provides both aesthetic and functional look to your ceiling. **PANELLUX Multi-P Ceiling System** provides design flexibility with a combination of 30mm, 80mm, 130mm and 180mm width panels and height range between 20mm to 150mm. The ceiling profile is ideal for interior and exterior applications such as terraces, corridors, canopies, lobbies and toilets at airport terminal buildings, shopping centers, showrooms, apartments, transportation, factories and so on.

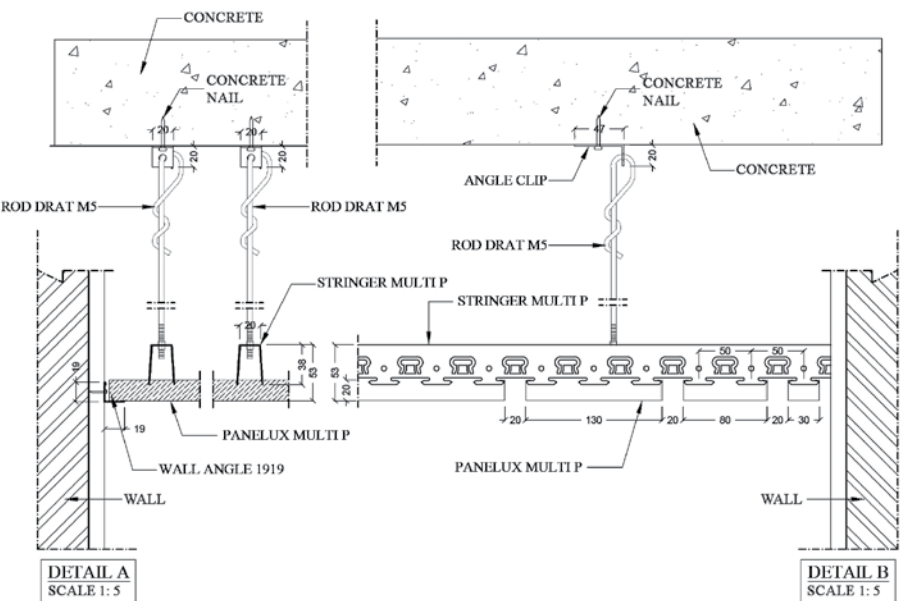
PANELLUX® Multi-P Ceiling is made of Pre-painted galvalume under the brand KIRANA™ Steel from BlueScope Steel Indonesia. The installation uses the stringer frame with the Clip-Lock system without the need for bolts or screws. Products are available in Plain, Color and Woodgrain finish.

PANELLUX® MULTI-P CEILING

PRODUCT	INFORMATION
 ROD M5	Rod Drat M5 Material : Wire Rod Galvanized 4,5mm
 SMP	Stringer Multi-P Material : Galvanis Length : 3 meter
 3930P	Panel 39.30P Material : KIRANA™ Steel Standard Color : White, Silver, Woodgrain
 6430P	Panel 64.30P Material : KIRANA™ Steel Standard Color : White, Silver, Woodgrain
 8020P	Panel 80.20P Material : KIRANA™ Steel Standard Color : White, Silver, Woodgrain
 13020P	Panel 130.20P Material : KIRANA™ Steel Standard Color : White, Silver, Woodgrain
 18020P	Panel 180.20P Material : KIRANA™ Steel Standard Color : White, Silver, Woodgrain
 WA-1919	WALL ANGLE 1919 Material : KIRANA™ Steel Length : 3 m



MULTI-P CEILING INSTALLATION



DETAIL A
SCALE 1: 5

DETAIL B
SCALE 1: 5





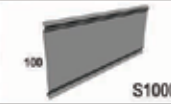
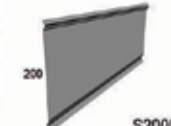
SHOWROOM PROMETAMA - TANGERANG

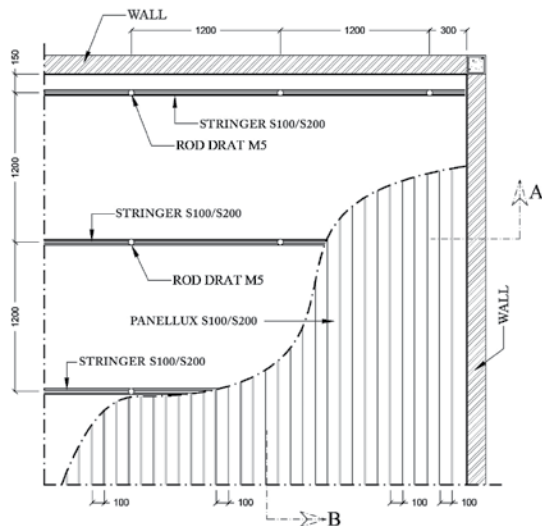
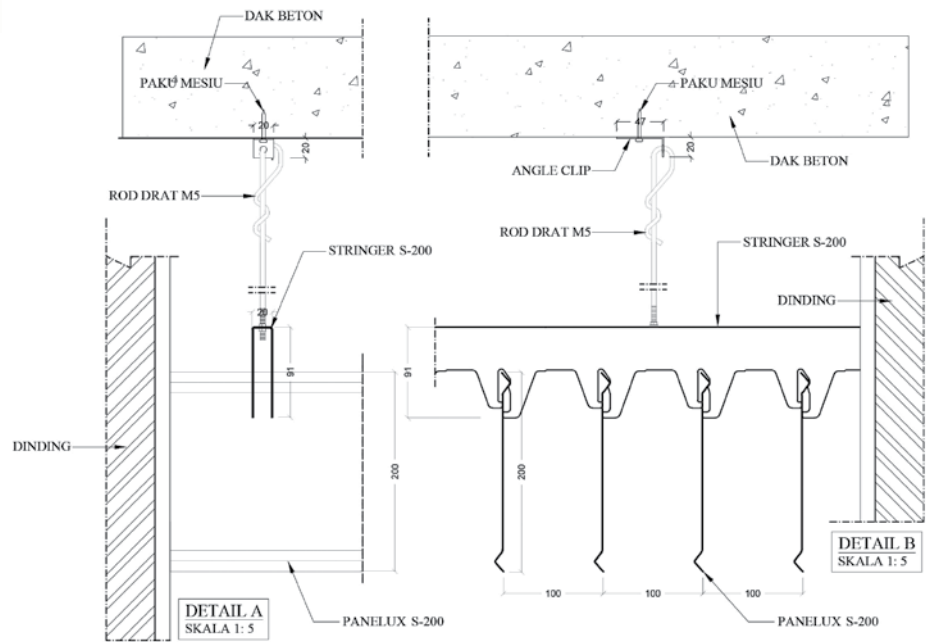
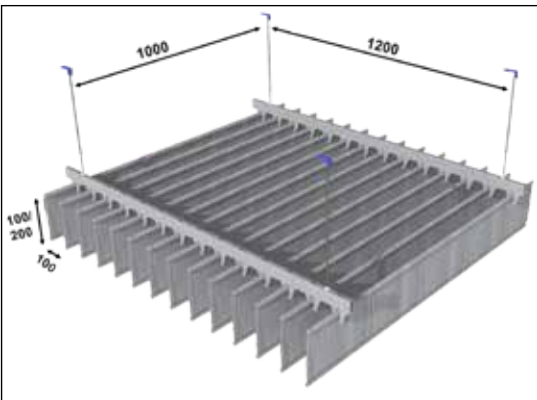
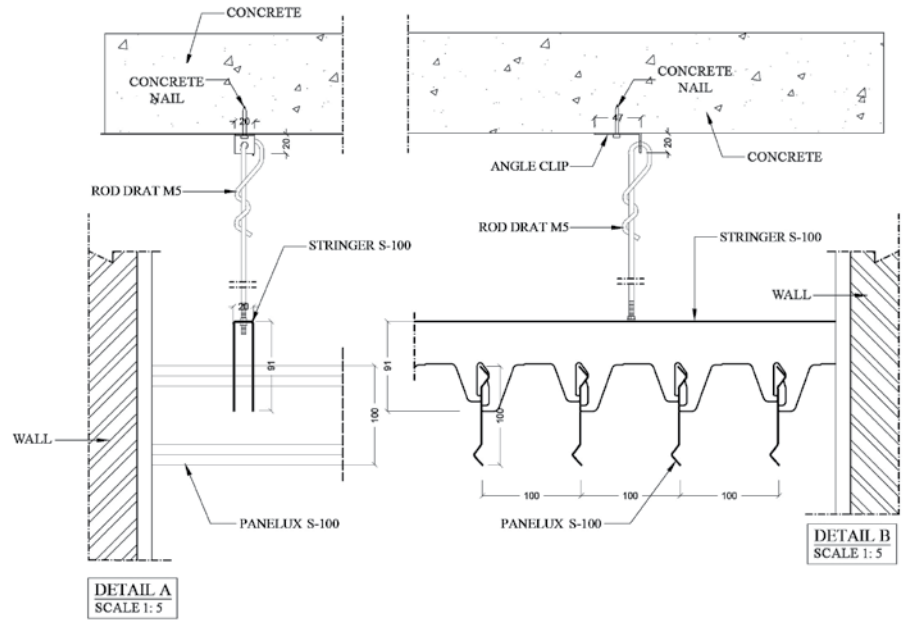
PANELLUX®
SCREEN CEILING
S100 & S200

PANELLUX® S100 & S200 offer ease of installation and provide both aesthetic and functional look to your ceiling. With panel dimensions of 100mm and 200mm high, it will give a minimalist and elegant ceiling look. It is ideal for interior and exterior ceiling applications such as terraces, corridors, canopies and lobbies in airport terminal buildings, ballrooms, shopping centers, showrooms, apartments, offices, factories and so on.

PANELLUX® S100 & S200 is made of Pre-painted galvalume under the brand KIRANA™ Steel from BlueScope Steel Indonesia. The installation uses the stringer frame with the Clip-Lock system without the need for bolts or screws.

PANELLUX[®] CEILING S100/S200

PRODUCT	INFORMATION
 ROD M5	Rod Drat M5 Material : Wire Rod Galvanized 4,5mm
 STR-S	Stringer S Material : Galvanis Length : 3 meter
 S100P	Panel S100 Material : KIRANA™ Steel Standard Color : White, Silver, Woodgrain
 S200P	Panel S200 Material : KIRANA™ Steel Standard Color : White, Silver, Woodgrain



DENAH INSTALASI S100/S200







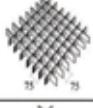

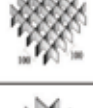




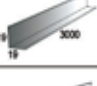

PROMETAMA SHOWROOM - TANGERANG

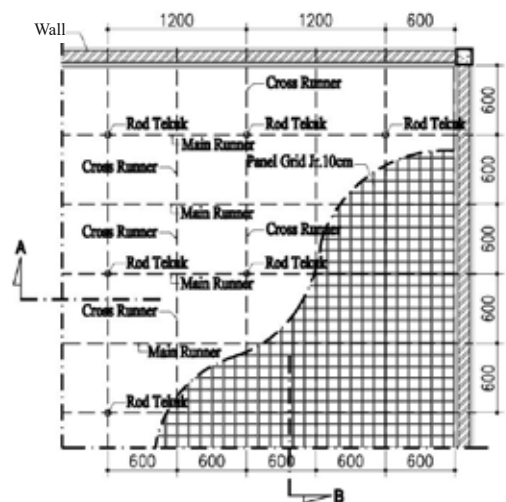
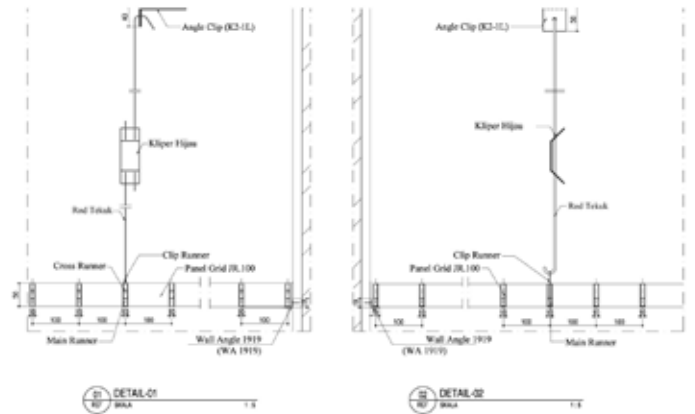
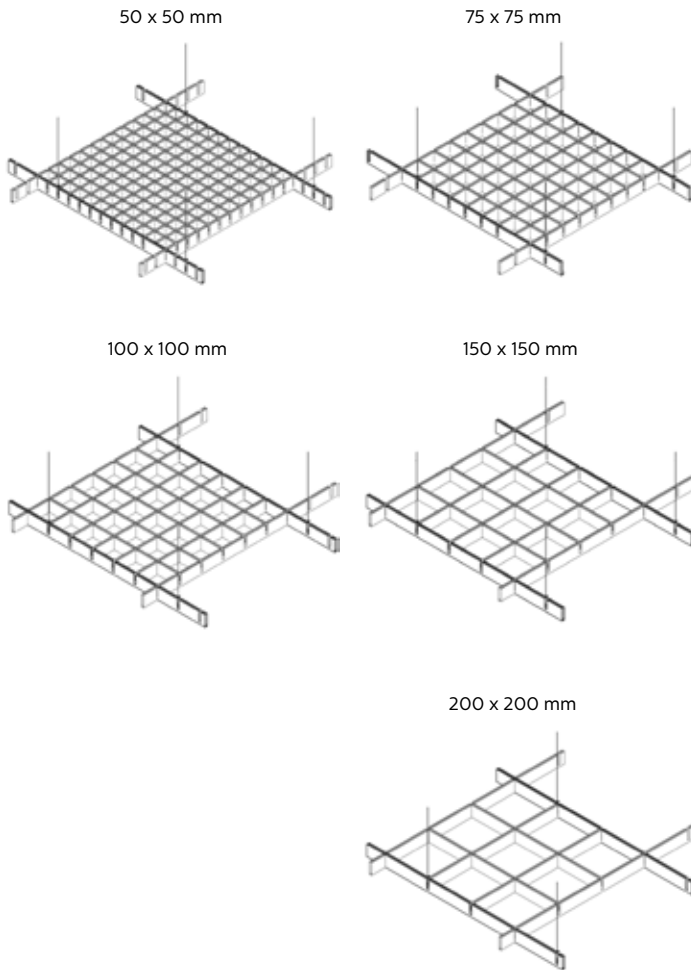
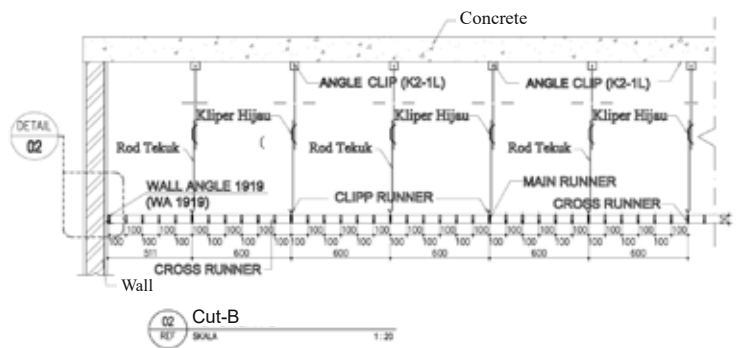
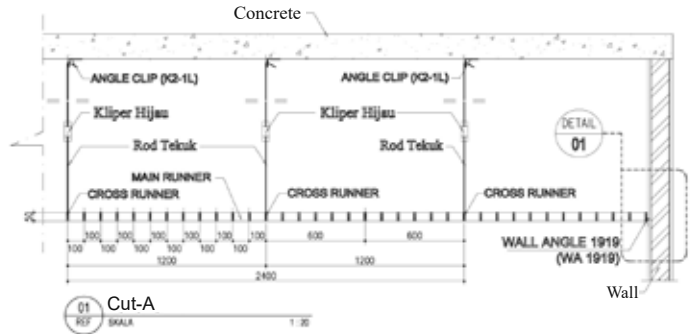
PANELLUX® GRID CEILING

PANELLUX® Grid Ceiling offers easy installation along with functional aesthetics to your ceiling. Our Grid Ceiling is available in the following dimension: 50x50mm, 75x75mm, 100x100mm, 150x150mm, and 200x200mm. Grid Ceiling can be ideally installed for both interior and exterior projects, including terraces, corridors, canopies and lobbies in airport terminal buildings, shopping malls, showrooms, apartments, offices, restaurants, hospitals, and others.

PANELLUX® Grid Ceiling is made from Bluescope Steel Indonesia ZINCALUME® Steel. Installation is easy with our main runners and cross runners without the need of any fasteners.

PANELLUX® GRID CEILING

PRODUCT	INFORMATION	PRODUCT	INFORMATION
	GRID CEILING 50x50mm Material : Zinalume® Steel Panel : 600x600mm Standard Color : White, Silver, Cisadane Brown (Light Brown), Anti Cooper (Dark Brown)		ROD 3,5 mm Material : Wire Rod Galvanized
	GRID CEILING 75x75mm Material : Zinalume® Steel Panel : 600x600mm Standard Color : White, Silver, Cisadane Brown (Light Brown), Anti Cooper (Dark Brown)		CLIP RUNNER Material : Steel Plate
	GRID CEILING 100x100mm Material : Zinalume® Steel Panel : 600x600mm Standard Color : White, Silver, Cisadane Brown (Light Brown), Anti Cooper (Dark Brown)		MAIN RUNNER Material : Zinalume® Steel Length : 3000mm Standard Color : White, Silver, Cisadane Brown (Light Brown), Anti Cooper (Dark Brown)
	GRID CEILING 150x150mm Material : Zinalume® Steel Panel : 600x600mm Standard Color : White, Silver, Cisadane Brown (Light Brown), Anti Cooper (Dark Brown)		CROSS RUNNER Material : Zinalume® Steel Length : 600mm Standard Color : White, Silver, Cisadane Brown (Light Brown), Anti Cooper (Dark Brown)
	GRID CEILING 200x200mm Material : Zinalume® Steel Panel : 600x600mm Standard Color : White, Silver, Cisadane Brown (Light Brown), Anti Cooper (Dark Brown)		WALL ANGLE Material : KIRANA™ Steel Length : 3000mm
			SHADOW MouldING Material : KIRANA™ Steel Length : 3000mm



GRID CEILING INSTALLATION



GLOBAL SEVILLA SCHOOL - JAKARTA

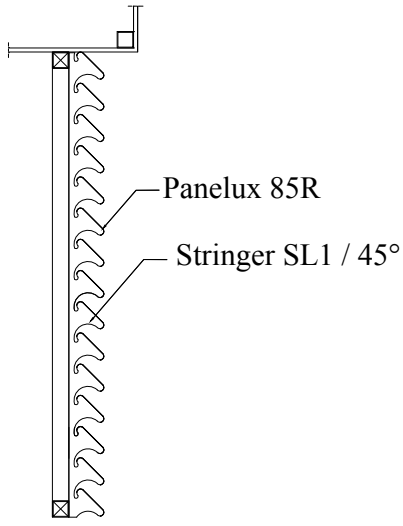
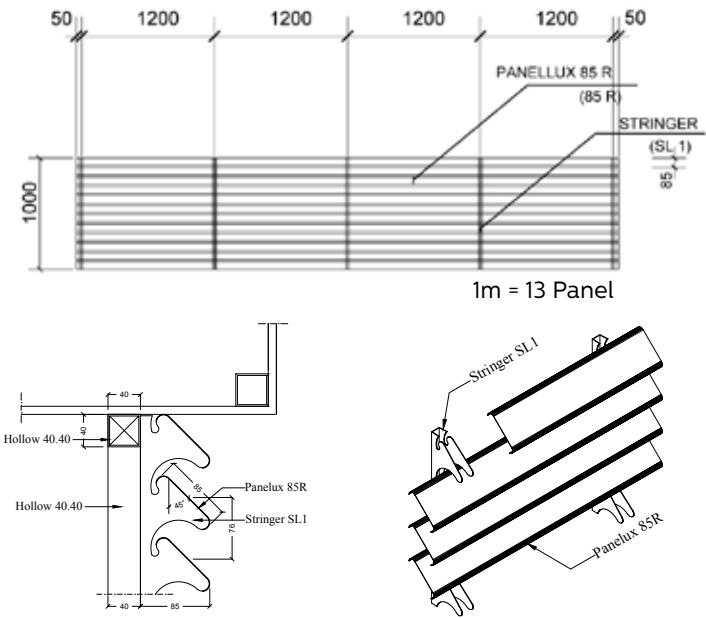
PANELLUX® SUNSCREEN

PANELLUX® Sunscreen filters the sunlight creating a different ambience to your building. Our sunscreen is easy to install and also suitable to decorate your building either as louver or as ceiling. With width dimension of 85mm and slope choices of 25° or 45°, it is suitable for exterior applications on windows, air conditioning grills, and generator box in residential complexes, shophouses, offices, hospitals, and others.

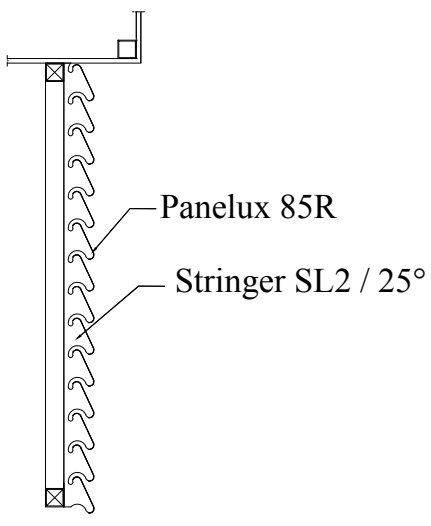
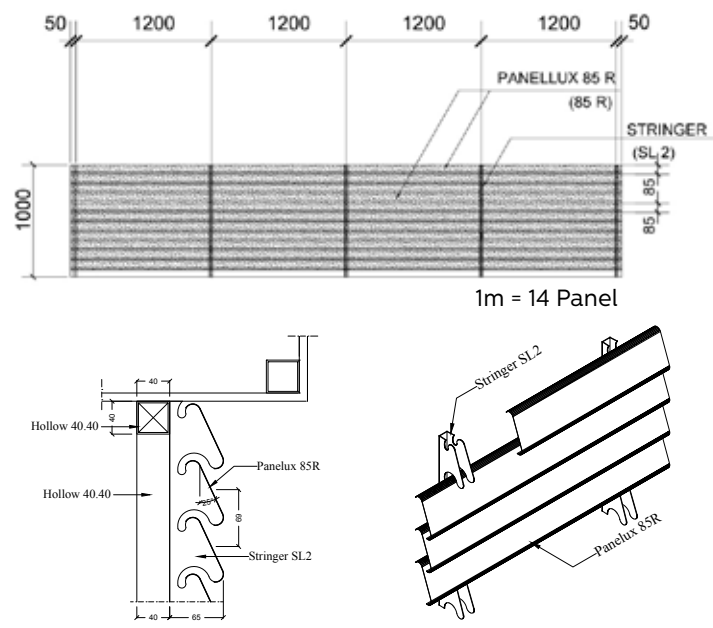
PANELLUX® Sunscreen is made from Bluescope Steel Indonesia Pre-painted KIRANA™ Steel. Installation is easy with stringer frames with Clip-Lock system without the need of any fasteners.

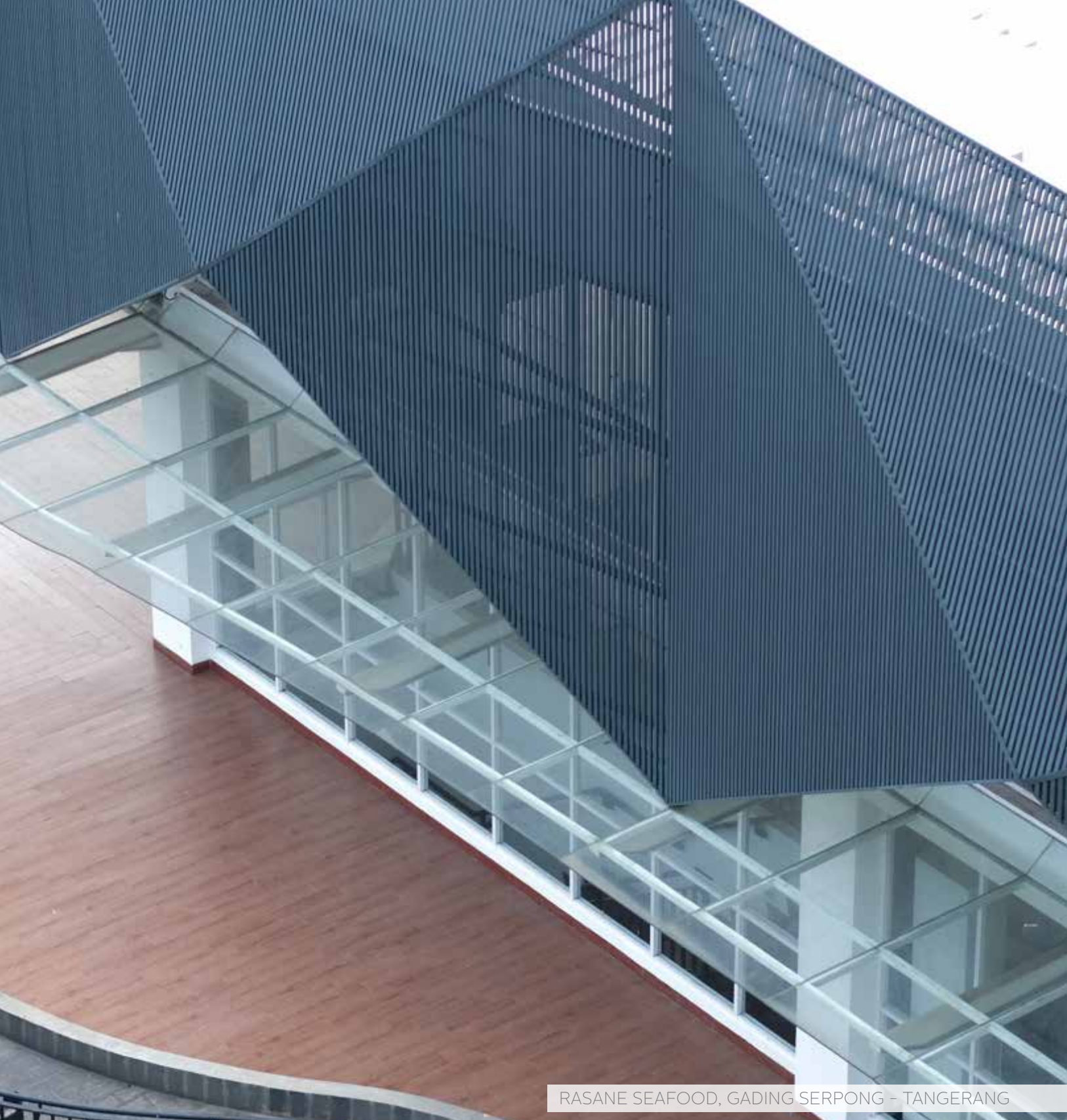
INFORMATION	SIZE	MATERIAL	LENGTH	STANDARD COLOR / TYPE	IMAGE
PANEL	Width : 85 mm Depth : 15 mm	KIRANA™ Steel WOODGRAIN	Custom	White, Silver, Anti Cooper, Cisadane Brown, Woodgrain	
STRINGER	Width : 85 mm Depth : 45 mm	Galvanis Steel	3 m	SL 1 & SL 2	

SUNSCREEN SL-1 (45°)



SUNSCREEN SL-2 (25°)






RASANE SEAFOOD, GADING SERPONG - TANGERANG

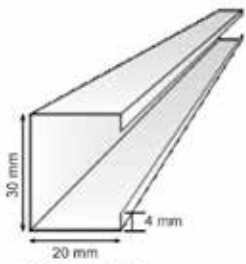
PANELLUX® MINIMALIST SCREEN

PANELLUX® Minimalist Screen filters the sunlight creating a different ambience to your building along with easy installation features. With width dimension of 30x20mm and 40x30mm, it will give a minimalistic feel to your building louvers. It is suitable for exterior applications such as in residential complexes, shophouses, offices, hospitals, and others.

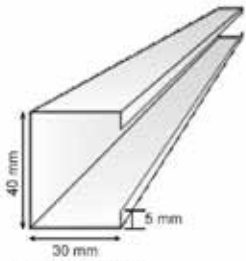
PANELLUX® Minimalist Screen is made from Bluescope Steel Indonesia Pre-painted KIRANA™ Steel. Installation is easy with stringer frames with Clip-Lock system without the need of any fasteners.

PANELLUX[®] MINIMALIST SCREEN

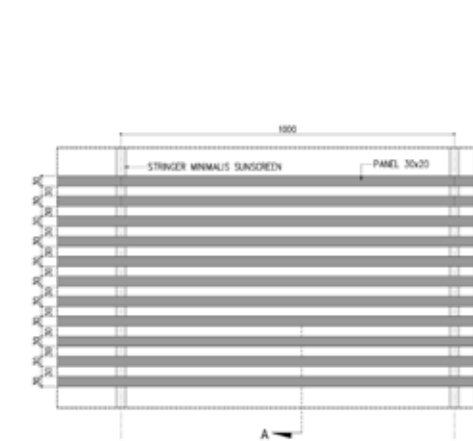
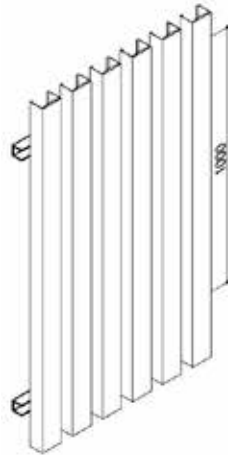
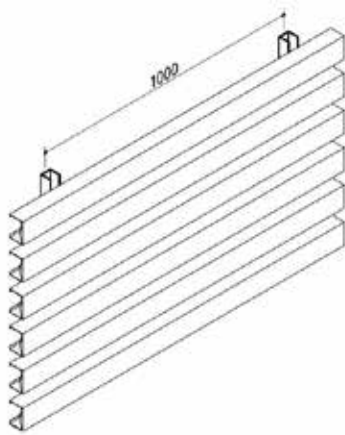
INFORMATION	SIZE (Width x Depth)	MATERIAL	LENGTH	STANDARD COLOR / CODE	IMAGE
PANEL	30 X 20 30 X 40	KIRANA™ Steel WOODGRAIN	Custom	White, Silver, Anti Cooper, Cisadane Brown, Woodgrain	
STRINGER	30 X 20 30 X 40	Zincalume [®] Steel (Black Finish)	4m	STG-M	



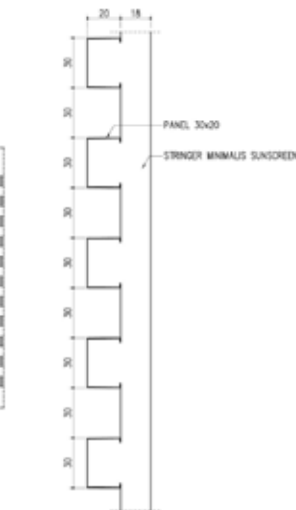
PANEL 30 X 20



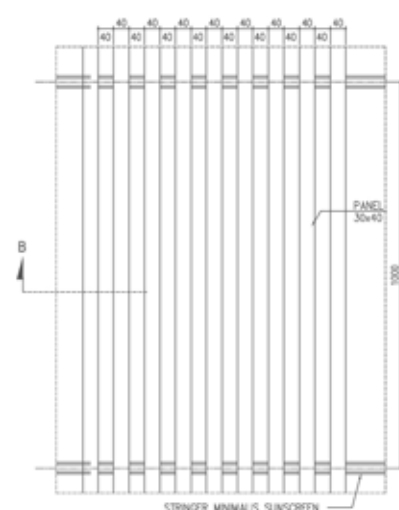
PANEL 30 X 40



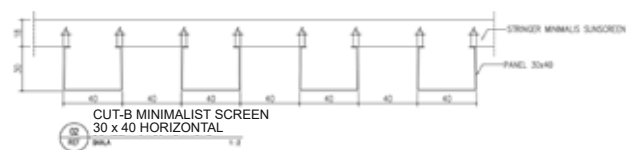
DETAIL MINIMALIST SCREEN
30 x 20 HORIZONTAL
01 REF SKALA 1:20



CUT-A MINIMALIST SCREEN
30 x 20 HORIZONTAL
01 REF SKALA 1:20



DETAIL MINIMALIST SCREEN
30 x 40 VERTICAL
02 REF SKALA 1:20



CUT-B MINIMALIST SCREEN
30 x 40 HORIZONTAL
02 REF SKALA 1:20



BALI TOWER - JAKARTA

PANELLUX® JALOUSIE

PANELLUX® Jalousie filters the sunlight while giving a durable, functional look to your projects. It is suitable for exterior applications such as air ventilations, air conditioning grills, and generator boxes in factories, warehouses, high rise buildings, and others.

PANELLUX® Jalousie is made from Bluescope Steel Indonesia ZINCALUME® Steel.



TOYOTA HOUSING TECHNOLOGY GALLERY - TANGERANG

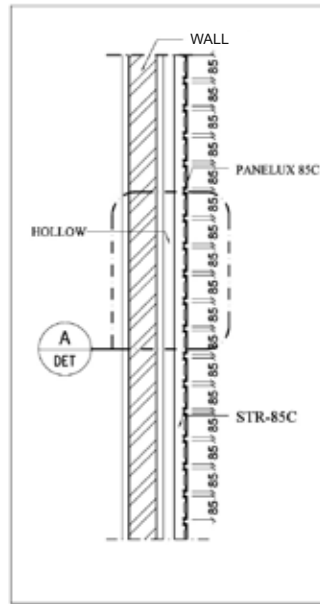
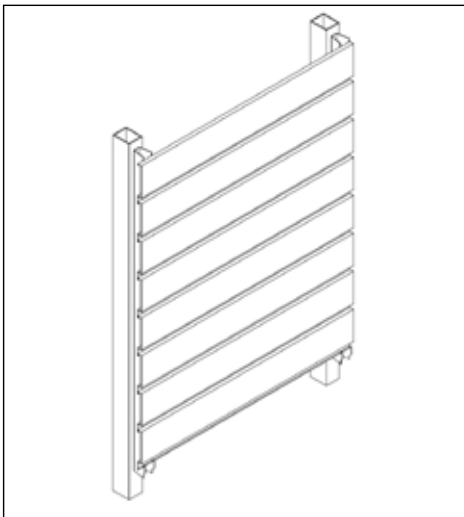
PANELLUX® LINEAR CLADDING 85C

PANELLUX® Linear Cladding 85C offers easy installation along with functional aesthetics to your cladding. With width dimension of 85mm and indentation gap of 15mm, it will give your cladding a minimalistic and elegant look. It is suitable for both interior and exterior cladding applications such as factories, warehouses, residential complexes, offices, restaurants and others.

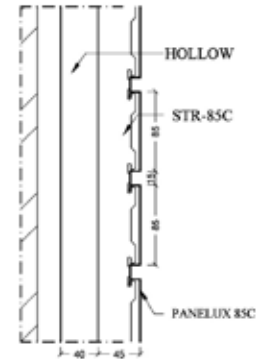
PANELLUX® Linear Cladding 85C is made from Bluescope Steel Indonesia Pre-painted KIRANA™ Steel. Installation is easy with stringer frames with Clip-Lock system without the need of any fasteners.

PANELLUX[®] LINEAR CLADDING 85C

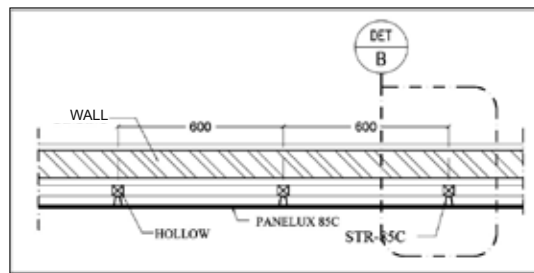
PRODUCT	INFORMATION
 ST-85C	STRINGER 85C Material : Galvanis Steel
 85C	PANELLUX 85C Material : KIRANA™ Steel Standard Color : White, Silver, Cisdane Brown (Light Brown), Anti Cooper (Dark Brown) Length : Custom
 RH-4X4	RANGKA HOLLOW 40x40mm Material : Zinalume [®] Steel



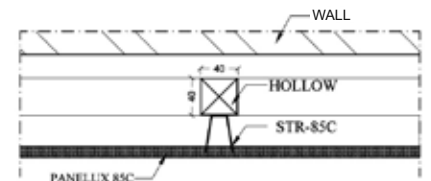
CUT-A
SKALA 1:5



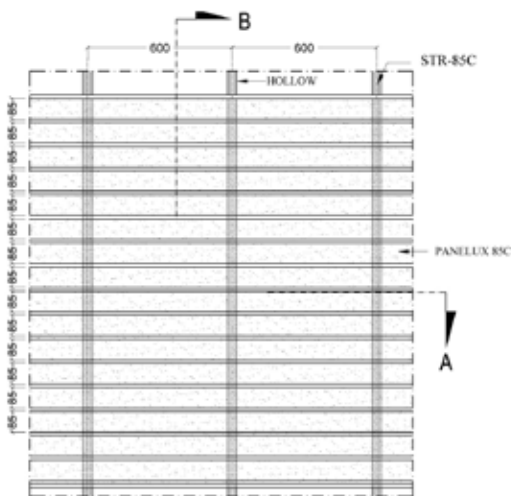
DETAIL-A
SKALA 1:5



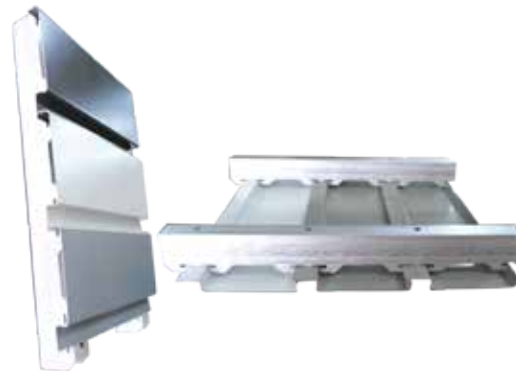
CUT-B
SKALA 1:5



DETAIL-B
SKALA 1:5



CLADDING 85C
PANELLUX EXT. PROMETAMA
SKALA 1:50



LINEAR CLADDING 85C



GSRI CITRA, PEGADUNGAN - JAKARTA

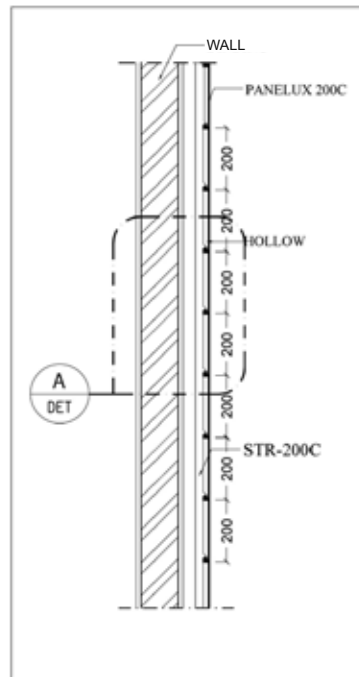
PANELLUX® LINEAR CLADDING 200C

PANELLUX® Linear Cladding 200C offers easy installation along with functional aesthetics to your cladding. With width dimension of 200mm, it will give your cladding a minimalistic and elegant look. It is suitable for both interior and exterior cladding applications such as factories, warehouses, residential complexes, offices, restaurants and others.

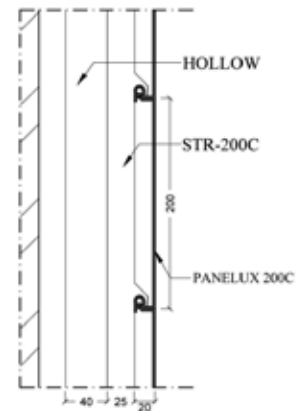
PANELLUX® Linear Ceiling 200C is made from Bluescope Steel Indonesia Pre-painted KIRANA™ Steel. Installation is easy with stringer frames with Clip-Lock system without the need of any fasteners.

PANELLUX[®] LINEAR CLADDING 200C

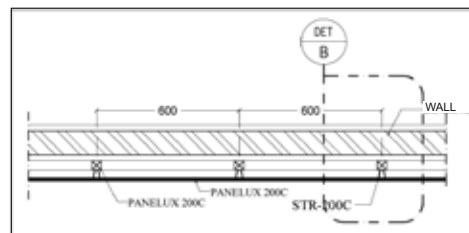
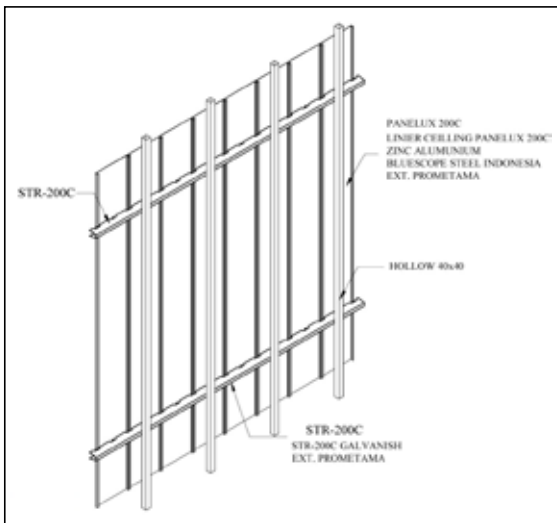
PRODUCT	INFORMATION
	PANELLUX 200C Material : KIRANA™ Steel Panel : Plain Standard Color : White, Silver, Cisadane Brown (Light Brown), Anti Cooper (Dark Brown)
	RANGKA HOLLOW 40x40mm Material : Zincalume [®] Steel
	STRINGER 200C Material : Galvanized Steel Length : 4 m



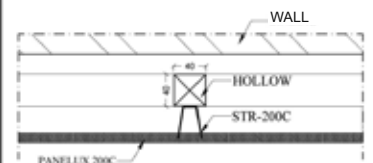
CUT-A
SKALA 1:5



DETAIL-A
SKALA 1:5



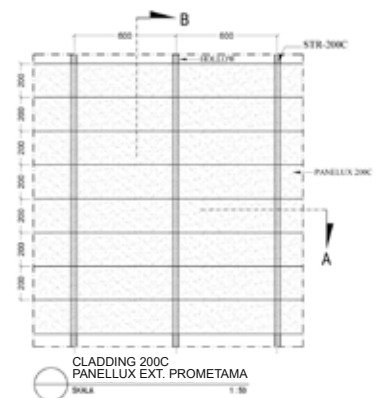
CUT-B
SKALA 1:5



DETAIL-B
SKALA 1:5



LINEAR CLADDING 200C



CLADDING 200C
PANELLUX EXT. PROMETAMA
SKALA 1:50



PROMETAMA SHOWROOM - TANGERANG

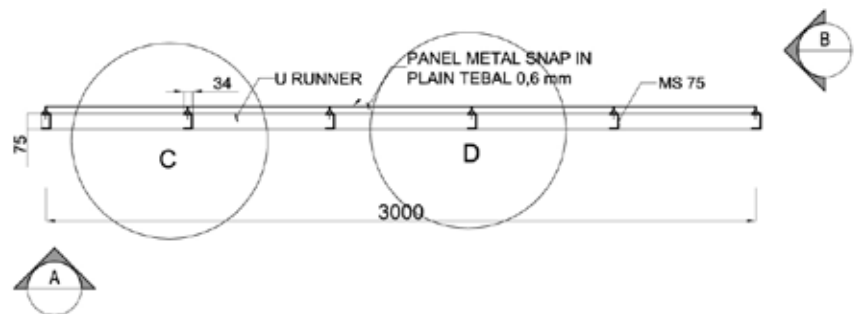
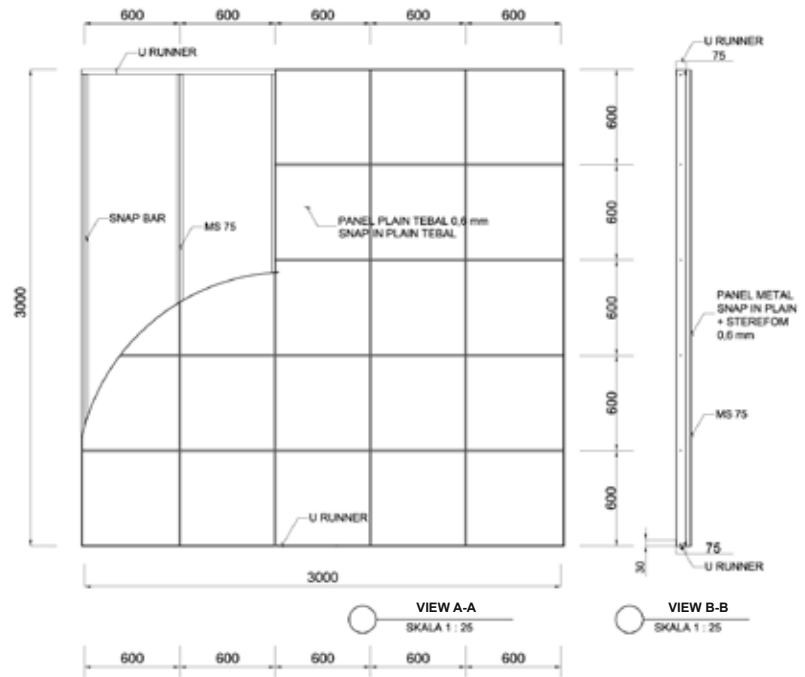
PANELLUX® METAL CLADDING SNAP IN

PANELLUX® Metal Cladding Snap In offers easy installation along with functional aesthetics to your cladding. With width dimension of 60x60mm, it will give your cladding a minimalistic and elegant look. To add acoustic properties, our Metal Cladding Snap In system can be filled with styrofoam with width of 10 mm. It is suitable for both interior and exterior cladding applications such as corridors and lobbies in airport terminal buildings, showrooms, apartments, offices, factories, and others.

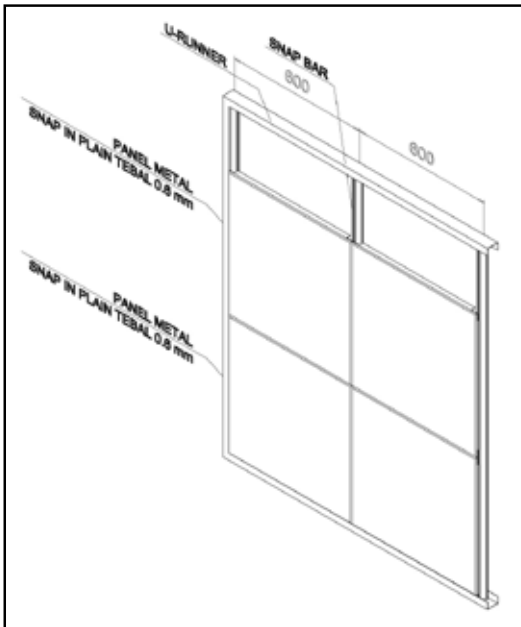
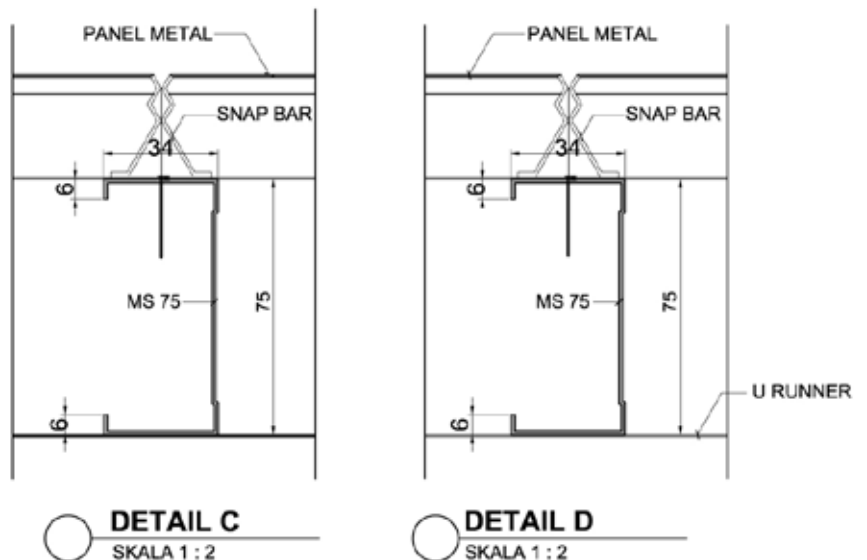
PANELLUX® Metal Cladding Snap In is made of Pre-painted galvalume under the brand KIRANA™ Steel from BlueScope Steel Indonesia. Installation is easy with snap bar frames without the need of any fasteners.

PANELLUX[®] METAL CLADDING 60x60

PRODUCT	INFORMATION
 <p>600 600</p> <p>MC-SIP</p>	<p>Metal Ceiling Snap In Plain</p> <p>Material : KIRANA™ Steel</p> <p>Panel : 600 x 600mm</p> <p>Standard Color : White, Silver</p> <p>Thickness : 0,6mm</p>
 <p>600 600</p> <p>MC-SIPF</p>	<p>Metal Ceiling Snap In Perforated</p> <p>Material : KIRANA™ Steel</p> <p>Panel : 600 x 600 mm</p> <p>Standard Color : White, Silver</p> <p>Thickness : 0,6mm</p> <p>Perforation : Ø 2,3mm</p>
 <p>MS-75</p>	<p>Metal Stud 75 x 34</p> <p>Material : Zinalume[®] Steel</p> <p>Length : 3 m</p>
 <p>U-75</p>	<p>U Runner 75 x 34</p> <p>Material : Zinalume[®] Steel</p> <p>Length : 3 m</p>
 <p>33.5</p> <p>30</p> <p>3000</p> <p>SB</p>	<p>Snap Bar</p> <p>Material : Zinalume[®] Steel</p> <p>Length : 3 m</p>



METAL PARTITION INSTALLATION SYSTEM
SKALA 1 : 25






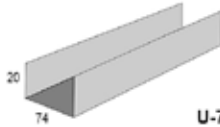
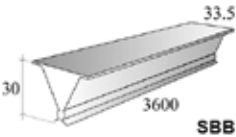
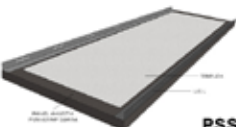
GSRI CITRA, PEGADUNGAN - JAKARTA

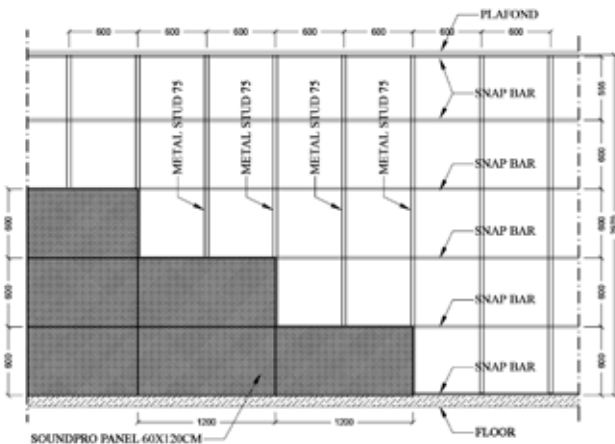
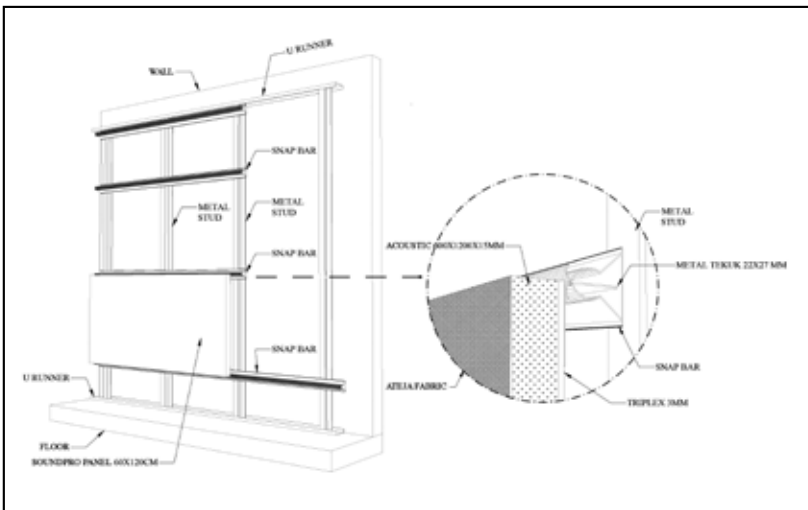
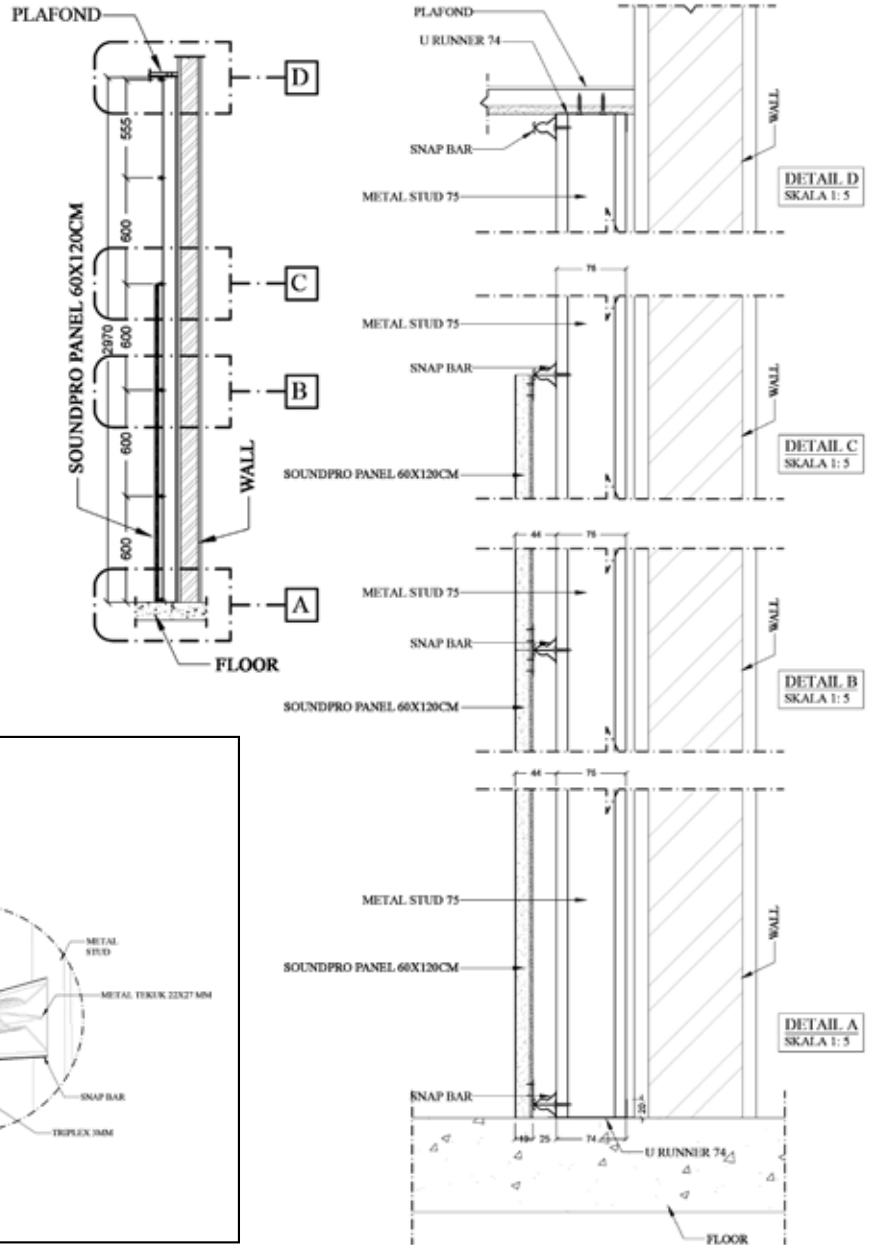
PANELLUX® SOUNDPRO CLADDING

PANELLUX® SoundPro Cladding is a sound absorbing mineral fiber panel wrapped in fabric. The color can be adjusted according to the interior design choices. Products are installed with Snap-In system so that the frames, nails and screws are not visible. The final appearance is neat and beautiful, while being able to be easily opened and reinstalled. It is ideal for interior cladding applications such as worship rooms / churches, seminar rooms, conference rooms, karaoke rooms, music studios and so on.

PANELLUX® SoundPro Cladding is made of **Armstrong®** mineral material 15mm fiber board with various colors and patterns. The installation uses the snap bar frame so that the screws and bolts are not visible.

PANELLUX® SOUNDPRO CLADDING

PRODUK	KETERANGAN
 MS-75	METAL STUD 75x34mm Material : Zinalume® Steel
 U-75	U RUNNER 75x20mm Material : Zinalume® Steel
 SBB	SNAP BAR Material : Galvanized Steel
 PSS	SOUND ABSORPTION ACOUSTIC PANEL Material : Acoustic Panel Size : 600x1200x25mm (include Lis L)



SOUNDPRO CLADDING INSTALLATION



SOUNDPRO CLADDING PANEL



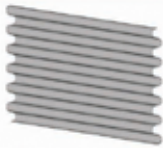


GSRI CITRA, PEGADUNGAN - JAKARTA

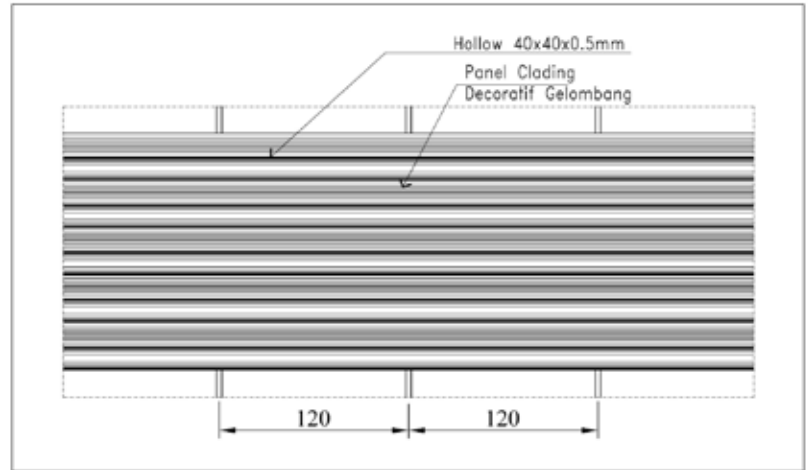
PANELLUX® WAVE DECORATIVE CLADDING

PANELLUX® Wave Decorative Cladding covers your wall with decorative steel with small, wavy profiles. With width dimension of 160mm, it will give your cladding an industrial, minimalistic look. It is suitable for both interior and exterior cladding application such as residential complexes, shop houses, offices, restaurants, factories, and others.

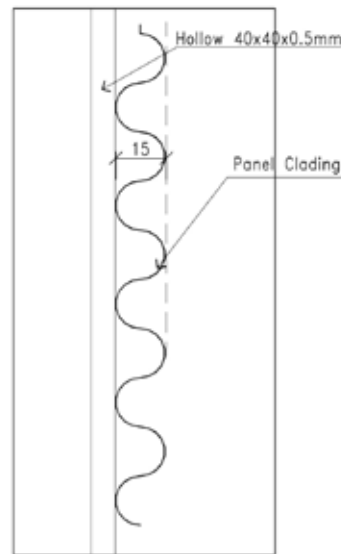
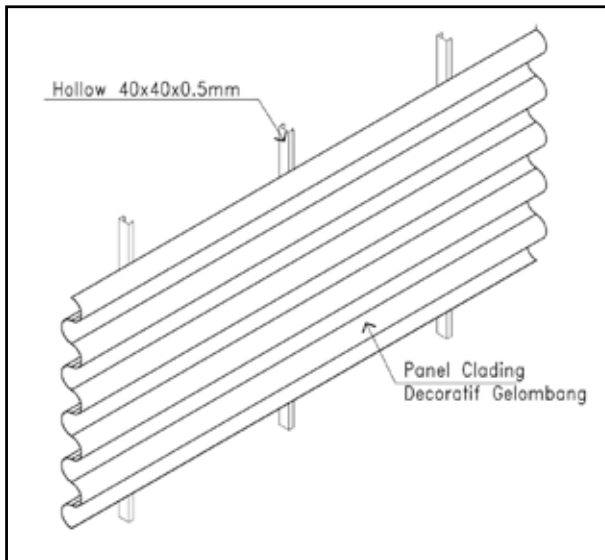
PANELLUX® Wave Decorative Cladding is made from Bluescope Steel Indonesia Pre-painted KIRANA™ Steel.

PANELLUX® DEKORATIF GELOMBANG

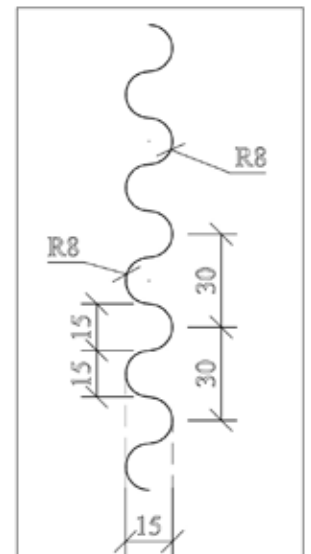
PRODUCT	INFORMATION
 DM-G	Wave Decorative Panel Material : KIRANA™ Steel Width : 160 mm Length : Custom Standard Color : White, Silver, Cisadane Brown (Light Brown), Anti Cooper (Dark Brown)
 MS-75	Metal Stud 75 x 34 Material : Zinalume® Steel Length : 3 m
 LG-5050	Border List 50 x 50 Material : Zinalume® Steel Length : 3 m



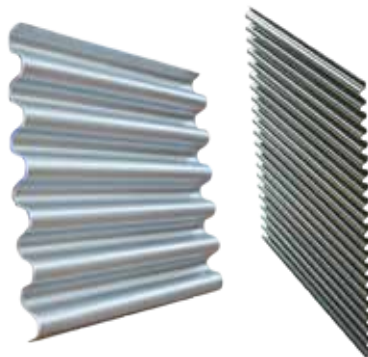
01 FRONT VIEW
REF SKALA 1:100



01 SIDE VIEW
REF SKALA 1:100



01 DETAIL PANEL WAVE DECORATIVE CLADDING
REF SKALA 1:100



WAVE DECORATIVE CLADDING



PROJECT REFERENCES



PANELLUX 85C | Gunadarma University



PANELLUX 85C | Depok Regional General Hospital



PANELLUX Cladding 85C | Tokyo Housing Technology Gallery



PANELLUX 85C | Radin Inten II Airport



PANELLUX Cladding 85C | Sentra Niaga Puri Indah Office



PANELLUX 85R V4 | Santo Andreas Kim Tae Gon Church



PANELLUX 85R V5 | Husein Sastranegara Airport



PANELLUX 100R & 200R | Office Pantai Indah Kapuk

PROJECT REFERENCES



PANELLUX 150R | Kelapa Gading Boulevard LRT Station



PANELLUX 150R | Raja Haji Fisabilillah International Airport



PANELLUX 200R | Husein Sastranegara Airport



PANELLUX 200C | Radin Inten II Airport



PANELLUX 200C | Shell Gas Station Karawang



PANELLUX 200C | Depok Regional General Hospital



PANELLUX Plank Ceiling | Entikong Cross Border Post



PANELLUX Plank Ceiling | Kalibata City Square

PROJECT REFERENCES



PANELLUX Plank Ceiling | Gunadarma University



PANELLUX Grid Ceiling | B-Quik Giant Paramount



PANELLUX Grid Ceiling | The Food Hall Summarecon Mall



PANELLUX Grid Ceiling | Burj Al-Bakrie Mosque



PANELLUX Metal Lay In | Transjakarta Shelter Bus



PANELLUX Metal Lay In | Menara Bidakara



PANELLUX Metal Snap In | Jakarta International Expo



PANELLUX Metal Snap In | Hutama Karya Main Office