




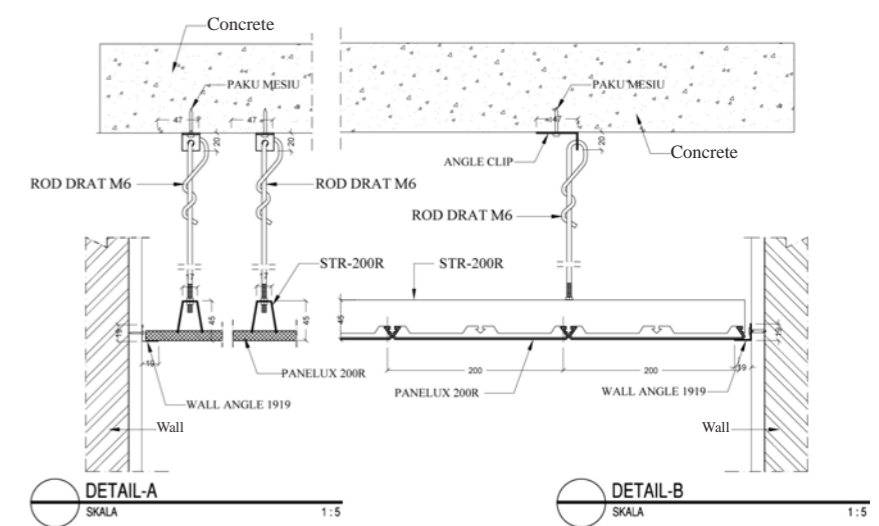
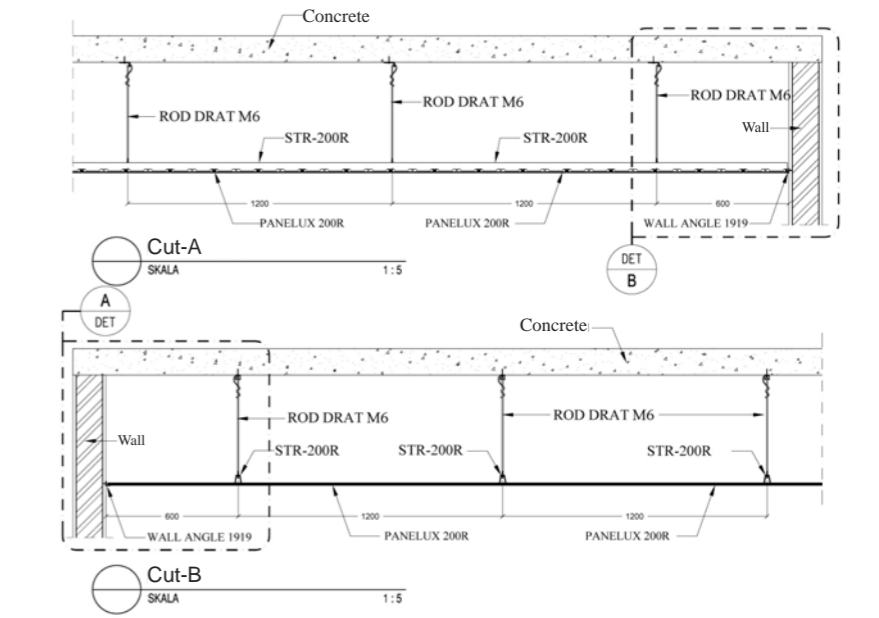
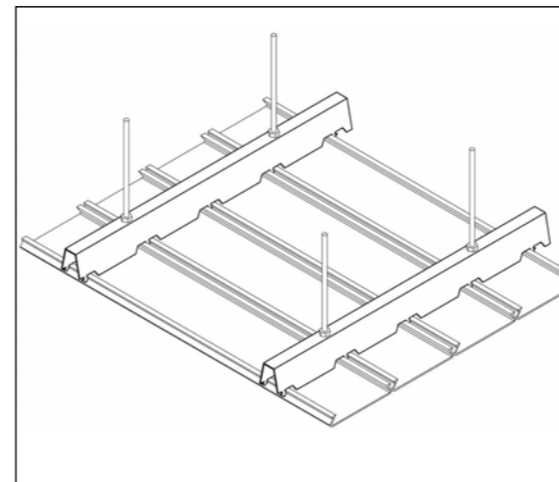


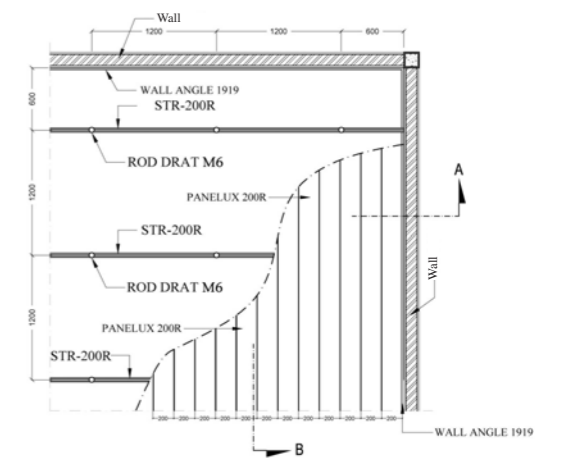


PANELLUX® LINEAR CEILING 200R

PRODUCT	INFORMATION
 ROD M6	ROD DRAT M6 Material : Wire Rod Galvanized 6mm
 Width : 30 mm Height : 45 mm STR-200R	STRINGER 200R Material : Zinalume® Steel Length : 4 m
 Width : 200 mm Height : 16,5 mm 200R	PANELLUX 200R Material : Aluminium Standard Color : White, Silver,
 19 19 WA-1919	WALL ANGLE 1919 Material : Aluminium Length : 3 m
 10 14 19 SM-1914	SHADOW MOULDING 1914 Material : Aluminium Length : 3 m



LINEAR CEILING 200R



LINEAR CEILING 200R INSTALLATION

PANELLUX® LINEAR CEILING 200R

PANELLUX® Linear Ceiling 200R is easy to install and provides a functional look towards your ceiling profile. With profile width of either 200mm, it will give an elegant minimalistic look. It is ideally applied in both interior and exterior ceiling projects, including terraces, corridors, canopies and lobbies in airport terminals, shopping malls, showrooms, apartments, offices, factories and other types of projects.

PANELLUX® Linear Ceiling 200R is made of Pre-painted Aluminium Alloy 100. Installation is easy with stringer suspension with Clip-Lock system without the need of bolts nor fasteners.