

# PANELLUX® LINEAR CEILING 200C




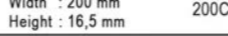



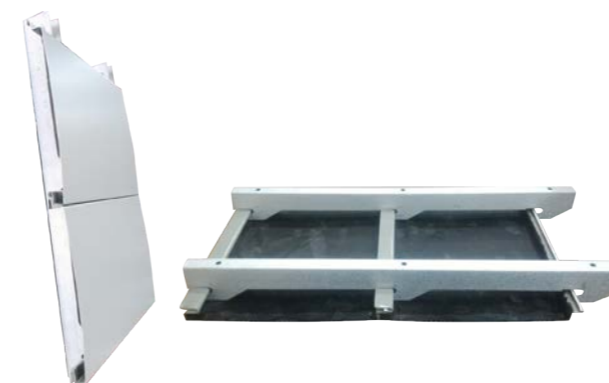
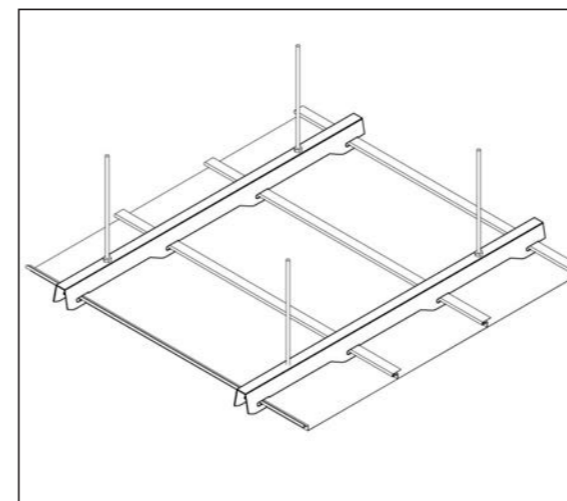
PERTAMINA GAS STATION - CIBITUNG

## PANELLUX® LINEAR CEILING 200C

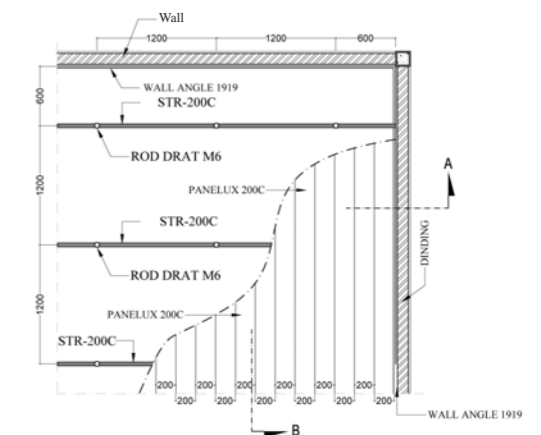
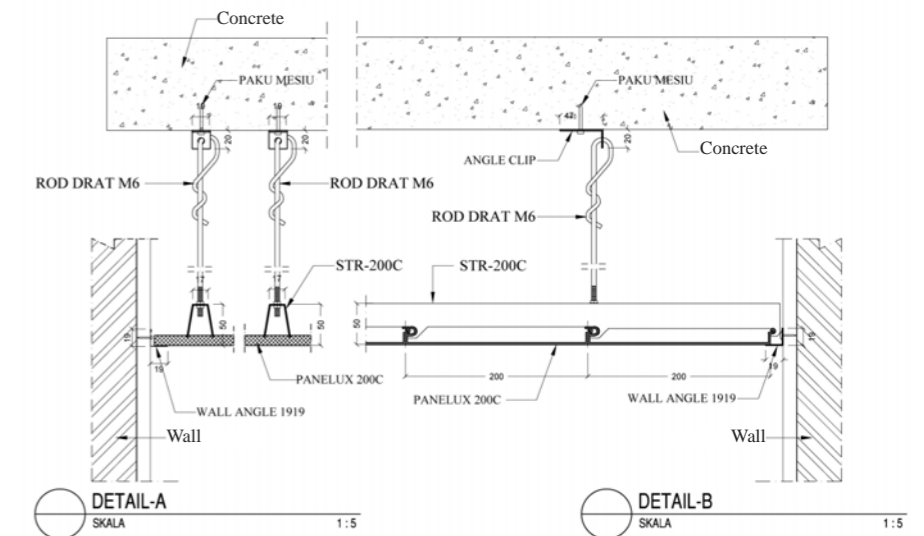
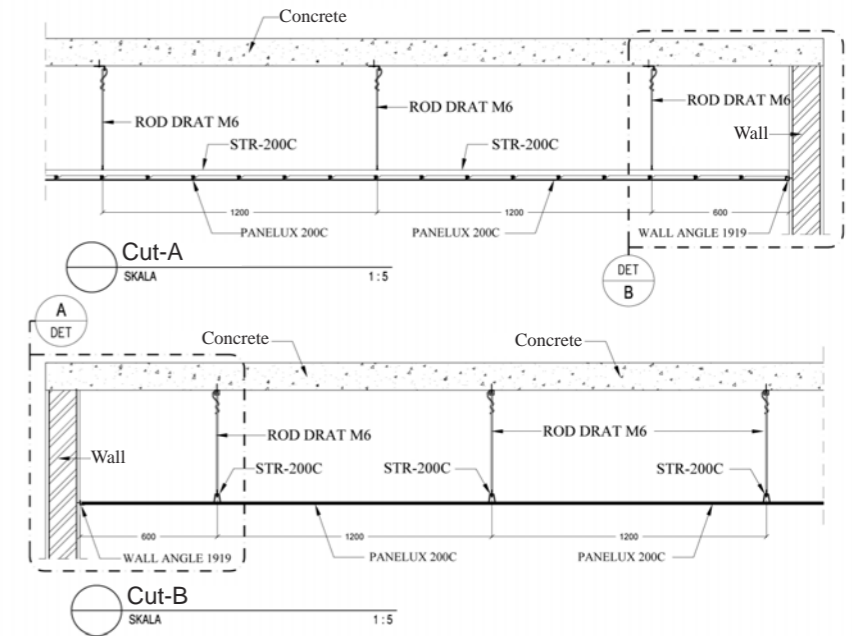
**PANELLUX® Linear Ceiling 200C** is easy to install and provides a functional look towards your ceiling profile. With profile width of either 200mm, it will give an elegant minimalistic look. It is ideally applied in both interior and exterior ceiling projects, including terraces, corridors, canopies and lobbies in airport terminals, shopping malls, showrooms, apartments, offices, factories and other types of projects.

**PANELLUX® Linear Ceiling 200C** is made of Pre-painted galvalume under the brand KIRANA™ Steel from BlueScope Steel Indonesia. Installation is easy with stringer suspension with Clip-Lock system without the need of bolts nor fasteners.

PRODUCT	INFORMATION
 ROD M6	ROD DRAT M6 Material : Wire Rod Galvanized 6mm
 Width : 30 mm Height : 45 mm STR-200C	STRINGER 200C Material : Galvanis Steel Length : 4 m
 Width : 200 mm Height : 16,5 mm 200C	PANELLUX 200C Material : KIRANA™ Steel Standard Color : White, Silver, Cisadane Brown (Light Brown), Anti Cooper (Dark Brown). Length : Custom
 19 19 WA-1919	WALL ANGLE 1919 Material : KIRANA™ Steel Length : 3 m
 10 14 19 SM-1914	SHADOW MouldING 1914 Material : Zinalume® Steel Length : 3 m



LINEAR CEILING 200C



LINEAR CEILING 200C INSTALLATION